

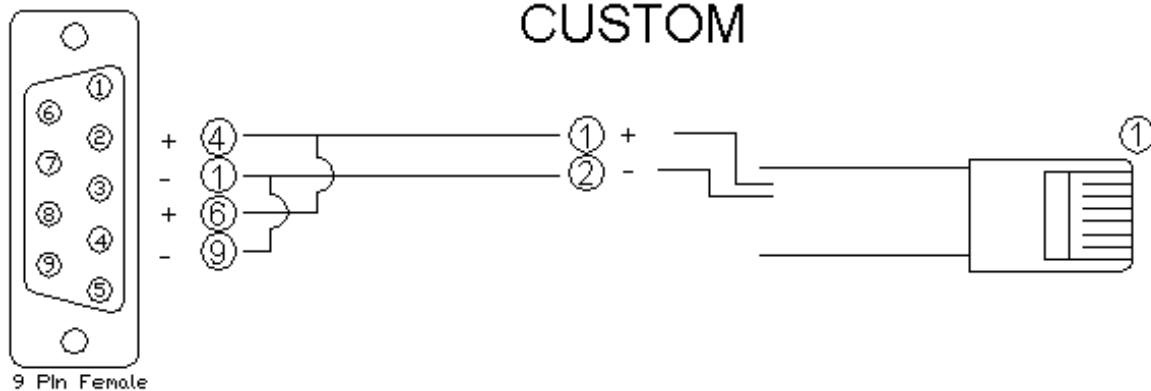
Partner: Wolf  
 Model: E Series  
 Device Type: Oven



**GENERAL INFORMATION**

<b>SIMPLWINDOWS NAME:</b>	Wolf E Series v1.0
<b>CATEGORY:</b>	Miscellaneous
<b>VERSION:</b>	v1.0
<b>SUMMARY:</b>	This module will monitor the Wolf E Series oven via RS-485.
<b>GENERAL NOTES:</b>	This module will monitor the Wolf E Series oven as well as other ovens in that series via RS-485.  This module was tested with a control board for the Wolf E Series oven.
<b>CRESTRON HARDWARE REQUIRED:</b>	PRO2, CP2E, CNXCOM-2, ST-COM, CEN-COM, requires RS-485 enabled com port. If using a 3-Series processor, requires an external RS-485 COM port (ST-COM, CEN-COM, etc.)
<b>SETUP OF CRESTRON HARDWARE:</b>	RS-485 Baud:38400 Parity: None Data Bits: 8 Stop Bits: 1
<b>VENDOR FIRMWARE:</b>	v53.00.05/v13.00.05 or higher
<b>VENDOR SETUP:</b>	N/A
<b>CABLE DIAGRAM:</b>	CUSTOM

Rear View of Connector



**Partner: Wolf**  
**Model: E Series**  
**Device Type: Oven**


**CONTROL:**

<b>Sync_Date_Time_To_Processor</b>	D	Pulse to sync date and time to the processor.
<b>Time_Format_12</b>	D	Pulse to set time mode to a 12 hour format.
<b>Time_Format_24</b>	D	Pulse to set time mode to a 24 hour format.
<b>From_Device</b>	S	Serial information returned via RS-485 port.

**FEEDBACK:**

<b>Kitchen_Timer_Is_Active</b>	D	Indicates that the kitchen timer is active.
<b>Kitchen_Timer_Text</b>	S	Displays the time remaining for kitchen timer.
<b>Kitchen_Timer_Has_1_Min</b>	D	Indicates that the kitchen timer has 1 minute or less remaining.
<b>Kitchen_Timer_Has_Ended</b>	D	Indicates that the kitchen timer has ended.
<b>Upper_Oven_Mode_Text</b>	S	Displays the upper oven mode type (bake, roast, etc).
<b>Upper_Oven_Mode_Has_Changed</b>	D	Indicates that the upper oven mode has changed.
<b>Upper_Oven_Temp_Text</b>	S	Displays the current upper oven temperature.
<b>Upper_Oven_Set_Temp_Text</b>	S	Displays the current oven temperature setting.
<b>Upper_Has_Reached_Preheat_Setpoint</b>	D	Indicates that the upper oven has reached the preheat setpoint.
<b>Upper_Door_Is_Open</b>	D	Indicates that the upper door is open.
<b>Upper_Oven_Light_Is_On</b>	D	Indicates that the upper oven light is on.
<b>Upper_Cook_Timer_Is_Active</b>	D	Indicates that the upper cook timer is currently active.
<b>Upper_Cook_Timer_Text</b>	S	Displays the upper cook timer in minutes.
<b>Upper_Cook_Timer_Has_1_Min</b>	D	Indicates that the freezer setpoint was changed.
<b>Upper_Cook_Timer_Has_Ended</b>	D	Indicates that the upper cook timer has ended.
<b>Upper_Meat_Probe_Is_In_Use</b>	D	Indicates that the upper meat probe is currently in use.
<b>Upper_Meat_Probe_Temp_Text</b>	S	Displays the upper meat probe temperature.

**Partner: Wolf**  
**Model: E Series**  
**Device Type: Oven**



<b>Upper_Meat_Probe_Set_Temp_Text</b>	S	Displays the upper meat probe temperature setting.
<b>Upper_Meat_Probe_Within_10_Degrees</b>	D	Indicates that the upper meat probe is within 10 degrees of its temperature setting.
<b>Upper_Meat_Probe_Has_Reached_Temp</b>	D	Indicates that the upper meat probe has reached its temperature setting.
<b>Upper_Self_Clean_Is_Active</b>	D	Indicates that the upper oven self clean mode is active.
<b>Lower_Oven_Mode_Text</b>	S	Displays the lower oven mode type (bake, roast, etc).
<b>Lower_Oven_Mode_Has_Changed</b>	D	Indicates that the lower oven mode has changed.
<b>Lower_Oven_Temp_Text</b>	S	Displays the current lower oven temperature.
<b>Lower_Oven_Set_Temp_Text</b>	S	Displays the current lower oven temperature setting.
<b>Lower_Has_Reached_Preheat_Setpoint</b>	D	Indicates that the lower oven has reached the preheat setpoint.
<b>Lower_Door_Is_Open</b>	D	Indicates that the lower door is open.
<b>Lower_Oven_Light_Is_On</b>	D	Indicates that the lower oven light is on.
<b>Lower_Cook_Timer_Is_Active</b>	D	Indicates that the lower cook timer is currently active.
<b>Lower_Cook_Timer_Text</b>	S	Displays the lower cook timer in minutes.
<b>Lower_Cook_Timer_Has_1_Min</b>	D	Indicates that the lower cook timer has 1 minute or less remaining.
<b>Lower_Cook_Timer_Has_Ended</b>	D	Indicates that the lower cook timer has ended.
<b>Lower_Meat_Probe_Is_In_Use</b>	D	Indicates that the lower meat probe is currently in use.
<b>Lower_Meat_Probe_Temp_Text</b>	S	Displays the lower meat probe temperature.
<b>Lower_Meat_Probe_Set_Temp_Text</b>	S	Displays the lower meat probe temperature setting.
<b>Lower_Meat_Probe_Within_10_Degrees</b>	D	Indicates that the lower meat probe is within 10 degrees of its temperature setting.
<b>Lower_Meat_Probe_Reached_Temp</b>	D	Indicates that the lower meat probe has reached its temperature setting.
<b>Lower_Self_Clean_Active</b>	D	Indicates that the lower oven self clean mode is active.
<b>Sabbath_Is_Active</b>	D	Indicates that Sabbath mode is currently active.
<b>Service_Is_Required</b>	D	Indicates that service is required.
<b>Date_Text</b>	S	Displays the unit's current date.

**Partner: Wolf**  
**Model: E Series**  
**Device Type: Oven**



<b>Time_Text</b>	S	Displays the unit's current time.
<b>Time_Format_Is_12</b>	D	Indicates that the time format is 12 hours.
<b>Time_Format_Is_24</b>	D	Indicates that the time format is 24 hours.
<b>To_Device</b>	S	Serial information sent via RS-485 port.

### TESTING:

<b>OPS USED FOR TESTING:</b>	2-Series: v4.003.0015 3-Series: v1.005.0007
<b>SIMPL WINDOWS USED FOR TESTING:</b>	v4.01.10
<b>DEVICE DB USED FOR TESTING:</b>	v46.05.007.00
<b>CRES DB USED FOR TESTING:</b>	v35.06.004.00
<b>SYMBOL LIBRARY USED FOR TESTING:</b>	v841
<b>SAMPLE PROGRAM:</b>	2-Series: Wolf E Series v1.0 Demo PRO2.smw 3-Series: Wolf E Series v1.0 Demo MC3.smw
<b>REVISION HISTORY:</b>	v1.0 – Original release.