

Partner: WGL Designs
Model: Rain8net
Device Type: Relay Control



GENERAL INFORMATION

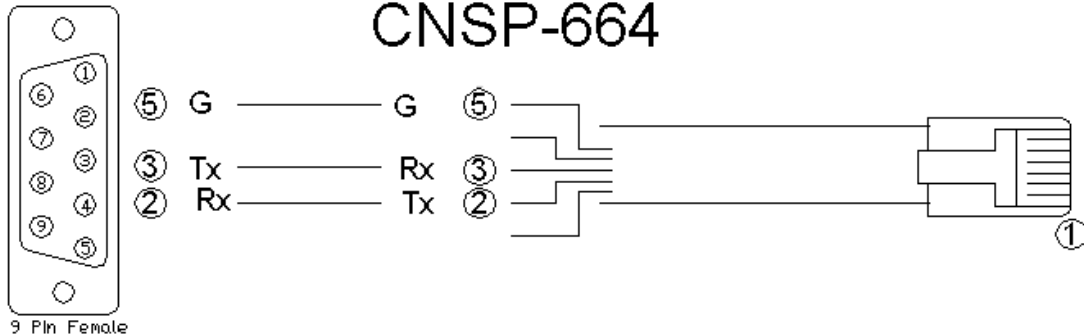
SIMPLWINDOWS NAME:	WGL Rain8net.umc
CATEGORY:	Relay Control
VERSION:	V 1.0
SUMMARY:	This module controls the WGL Rain8net via RS232 with true feedback.
GENERAL NOTES:	<p>This module allows the user to control up to 8 irrigation sprinkler heads individually. Crestron recommends that a single Rain8net be used per serial port. This allows the programmer to use the default address "1" with all Rain8net units being used.</p> <p>Valve_All_Off – This is a global shutoff command. All valves, on all Rain8net’s connected to a single com port, will be turned off.</p> <p>Poll – Polling is done after each command sent to the Rain8net. Any additional polling can be done manually, but the automatic polling should be sufficient for normal operation.</p> <p>Important Notes:</p> <p>Valves - The Rain8net is only able to have 4 valves active at any time. This module will allow the user to turn on a maximum of 4 valves. If 4 valves are active, the inactive valves' controls will not function. This Crestron module prevents the user from sending any and all commands for the inactive valves. The active valves' controls will continue to function normally. If one or more of the 4 active valves is turned off, all the valves controls will function normally. This behavior is an operational specification of the Rain8net, and this module has been coded to reflect this functionality. Please read the Rain8net owner's manual thoroughly before calling for Tech Support.</p> <p>Scheduling - The demo program for the Rain9net uses a When symbol to activate the valves. This is merely to show how one would control the Rain8net. There are a multitude of different timers/schedulers available from Crestron, to customize your program according to the end-user's needs. The recommended way of handling complex watering schedules is with the Event Scheduler modules (Original or v2). Use the demo program for the Scheduler if a user definable schedule is needed.</p>
CRESTRON HARDWARE REQUIRED:	ST-COM, CNX-COM6, CNXCOM-2, C2-COM6, C2-COM-2, C2-COM-3
SETUP OF CRESTRON HARDWARE:	RS232 Baud Rate: 4800 Parity: None Data Bits: 8 Stop Bits: 1
VENDOR FIRMWARE:	N/A
VENDOR SETUP:	

Partner: WGL Designs
Model: Rain8net
Device Type: Relay Control


CABLE DIAGRAM:

CNSP-664

Rear View of Connector


CONTROL:

Valve_*_On	D	Pulse to turn the selected valve on.
Valve_*_Off	D	Pulse to turn the selected valve off.
Valve_*	D	Pulse to toggle the selected valve's state on/off.
Valve_All_Off	D	Pulse to turn all valves off.
Poll	D	Pulse to send a Poll command.
DeviceID	P	A two character ASCII representation of the hexadecimal device ID.
From_Device\$	S	Serial signal to be routed from a 2-way serial com port.

FEEDBACK:

Valve_*_On_Fb	D	Indicates the selected valve is on.
Valve_*_Off_Fb	D	Indicates the selected valve is off.
To_Device\$	S	Serial signal to be routed to a 2 way serial com port.

Partner: WGL Designs
Model: Rain8net
Device Type: Relay Control



TESTING:

OPS USED FOR TESTING: PRO2: 3.088
CNMSX: 5.14.02x

COMPILER USED FOR TESTING: 2.05.22

SAMPLE PROGRAM: WGL Rain8 PRO2 Demo
WGL Rain8 CNMSX Demo

REVISION HISTORY: V. 1.0 – First release.