

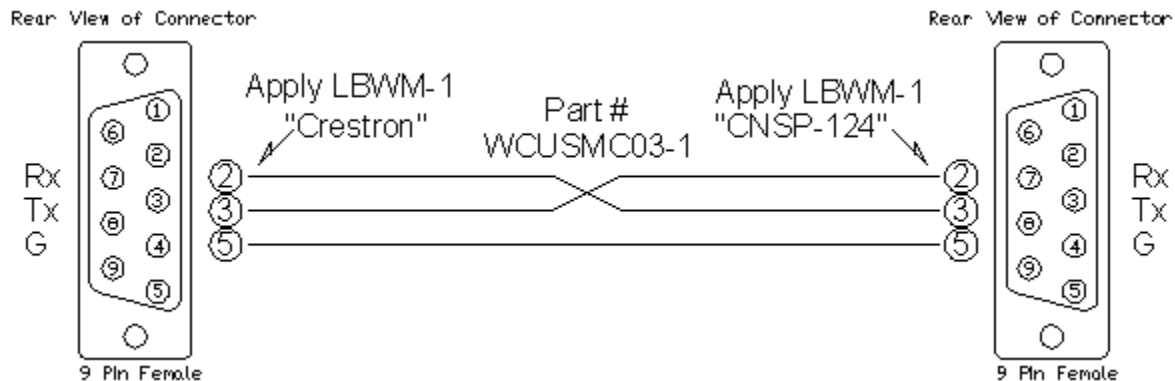
TagMcLaren: AV192R

This module controls the AV192R with true feedback.



GENERAL INFORMATION

| | |
|------------------------------------|---|
| SIMPLWINDOWS NAME: | TagMcLaren AV192 |
| CATEGORY: | Receiver/Processor |
| VERSION: | 1.0 |
| SUMMARY: | This module controls the AV192R with true feedback. |
| GENERAL NOTES: | <p>This module provides most of the available functionality. The cycle functions available on this module work the same as the buttons on the front of the AV192R.</p> <p>NOTE: If the Zone 2 light on the front of the AV192R is lit, we will not be able to get the volume level for the Main Zone. If the Zone 2 light is not lit, we will not be able to get the volume level for Zone 2.</p> |
| CRESTRON HARDWARE REQUIRED: | ST-COM, CNX-COM6, CNXCOM-2, C2-COM6, C2-COM-2, C2-COM-3 |
| SETUP OF CRESTRON HARDWARE: | <p>RS232</p> <p>Baud Rate: 9600</p> <p>Parity: None</p> <p>Data Bits: 8</p> <p>Stop Bits: 1</p> |
| VENDOR FIRMWARE: | 4.21.52 |
| VENDOR SETUP: | The RS232/IR TX Controller must be installed. |
| CABLE DIAGRAM: | CNSP-124 |




CONTROL:

| | | |
|---------------------------------|---|---|
| Power_* | D | Pulse to turn the unit on or off. |
| Select_* | D | Pulse to select the Main Zone or Zone 2. |
| Remote_Control_Input_* | D | Pulse to select the desired input. This will act the same as the corresponding buttons on the IR remote control. |
| Main_Zone_Volume_Up/Down | D | Press and hold to adjust the volume for the Main Zone. |
| Main_Zone_Volume_Mute_* | D | Pulse to mute and unmute the main zone volume. Note that the cycle input will cycle from unmute to attenuated to muted to unmuted. |
| Zone_2_Volume_Up/Down | D | Press and hold to adjust the volume for Zone 2. |
| Zone_2_Volume_Mute_* | D | Pulse to mute and unmute the zone 2 volume. Note that the cycle input will cycle from unmute to attenuated to mute to unmuted. |
| Balance_Front/Rear | D | Press and hold to adjust the balance between front and rear. These will not do anything if the rear speakers are not active. If the on screen menu is on, these will move the cursor through the menus. |
| Balance_Left/Right | D | Press and hold to adjust the balance between left and right. If the on screen menu is on, these will move the cursor through the menus. |
| Menu | D | Pulse to turn the on screen menu on and off. |
| Menu_Return | D | Pulse while the on screen menu is on to return to the previous screen. |
| Menu_Cancel | D | Pulse while the on screen menu is on to cancel an entry. |
| Menu_Keypad_* | D | Pulse while the on screen menu is on to enter values. |
| Menu_Up/Down/Left/Right | D | Pulse while the on screen menu is on to move through the menus. Note that if pulsed while the on screen menu is off, these will adjust the balance. |
| Video_Input_*-C | D | Pulse to select the composite video input. This will select the video only. |
| Video_Input_*-S | D | Pulse to select the S-Video input. This will select the video only. |
| Video_Input_RGB*/HDTV | D | Pulse to select the RGB or HDTV input. This will select the video only. |
| Video_Input_Cycle | D | Pulse to cycle to the next video input. This has the same functionality as the video button on the front of the AV192R. |



| | | |
|--|---|---|
| Analog_Audio_Input_* | D | Pulse to select the analog audio input. This will select the audio only. |
| Analog_Audio_Input_Cycle | D | Pulse to cycle to the next analog audio input. This has the same functionality as the analog button on the front of the AV192R. |
| Digital_Audio_Input_* | D | Pulse to select the digital audio input. This will select the audio only. |
| Digital_Audio_Input_Cycle | D | Pulse to cycle to the next digital audio input. This has the same functionality as the digital button on the front of the AV192R. |
| Audio_Input_Cycle | D | Pulse to cycle to the next audio input. This will cycle through the analog and the digital audio inputs. |
| Surround_Mode_* | D | Pulse to select the surround mode. |
| Surround_Mode_Cycle | D | Pulse to cycle to the next surround mode. This has the same functionality as the surround button on the front of the AV192R. |
| Surround_Mode_Night_Mode_On/Off | D | Pulse to turn the night mode on and off. |
| FM1/2 | D | Pulse to select the external FM antennae to use. |
| Search+/- | D | Pulse to start or stop the FM tuner search function. |
| Frequency+/- | D | Pulse to adjust the frequency. |
| Next/Previous_Preset | D | Pulse to go to the next or previous preset. |
| Poll_Enable | D | Hold high to poll for status every 5 seconds. This defaults to 1. |
| From_Device\$ | S | Serial signal to be routed from a 2 way serial com port. |
| Video Input * Text | P | Text for the video input. In the AV192R this is changeable by the user. If this is not set to the same text that is entered in the AV192R, the feedback for the video input will not be correct. This defaults to factory default settings. |
| Analog Audio Input * Text | P | Text for the analog audio input. In the AV192R this is changeable by the user. If this is not set to the same text that is entered in the AV192R, the feedback for the analog audio input will not be correct. This defaults to factory default settings. |
| Digital Audio Input * Text | P | Text for the digital audio input. In the AV192R this is changeable by the user. If this is not set to the same text that is entered in the AV192R, the feedback for the digital audio input will not be correct. This defaults to factory default settings. |



FEEDBACK:

| | | |
|--------------------------------------|---|--|
| Channel_* | D | High to indicate which speakers are active. |
| Main_Zone_Volume_Bar | A | Analog feedback to indicate the volume level for the main zone. This would normally be routed to a bar graph. |
| Main_Zone_Volume\$ | S | Serial feedback to indicate the volume level for the main zone. This would normally be displayed in an indirect text field. |
| Zone_2_Volume_Bar | A | Analog feedback to indicate the volume level for zone 2. This would normally be routed to a bar graph. |
| Zone_2_Volume\$ | P | Serial feedback to indicate the volume level for zone 2. This would normally be displayed in an indirect text field. |
| Balance_F/R_Bar | A | Analog feedback to indicate the front rear balance. This would normally be routed to a bar graph. |
| Balance_L/R_Bar | A | Analog feedback to indicate the left right balance. This would normally be routed to a bar graph. |
| Video_Input_*_Fb | D | High to indicate which video input is selected. This will not be accurate if the text entered in the parameter fields is not the same text that is in the AV192R. |
| Analog_Audio_Input_*_Fb | D | High to indicate which analog audio input is selected. This will not be accurate if the text entered in the parameter fields is not the same text that is in the AV192R. |
| Digital_Audio_Input_*_Fb | D | High to indicate which digital input is selected. This will not be accurate if the text entered in the parameter fields is not the same text that is in the AV192R. |
| Surround_Mode_*_Fb | D | High to indicate which surround mode is currently active. |
| Surround_Night_Mode_On/Off_Fb | D | High to indicate the current state of the surround night mode. |
| To_Device\$ | S | Serial signal to be routed to a 2 way serial com port. |
| | | |
| | | |
| | | |

**TESTING:**

| | |
|-----------------------------------|---|
| OPS USED FOR TESTING: | PRO2: 3.088 CNMSX: 5.14.02x |
| COMPILER USED FOR TESTING: | 2.04.14.05 |
| SAMPLE PROGRAM: | TagMcLaren AV192R PRO2 Demo TagMcLaren AV192R CNMSX Demo |
| REVISION HISTORY: | V. 1.0 – First release. |