

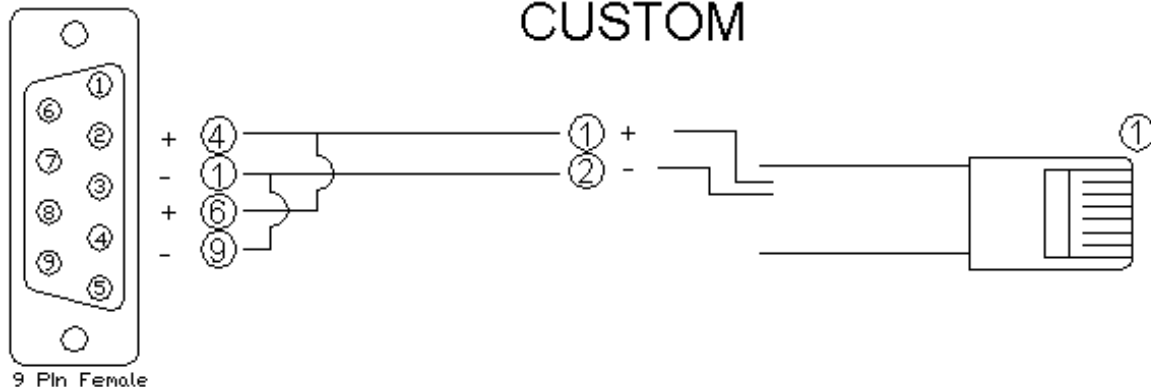
Partner: Sub-Zero
Model: Mura 36UFD
Device Type: Refrigerator



GENERAL INFORMATION

SIMPLWINDOWS NAME:	Sub-Zero 36UFD v1.0
CATEGORY:	Miscellaneous
VERSION:	v1.0
SUMMARY:	This module will monitor and control the Sub-Zero 36UFD refrigerator.
GENERAL NOTES:	This module will monitor and provide control of the Sub-Zero 36UFD refrigerator as well as other controllable refrigerators in that series via RS-485. This module was tested with a control board for the 36UFD.
CRESTRON HARDWARE REQUIRED:	PRO2, CP2E, CNXCOM-2, ST-COM, CEN-COM, requires RS-485 enabled com port. If using with an MC3, an ST-COM would be required.
SETUP OF CRESTRON HARDWARE:	RS-485 Baud:38400 Parity: None Data Bits: 8 Stop Bits: 1
VENDOR FIRMWARE:	v01.19.19
VENDOR SETUP:	N/A
CABLE DIAGRAM:	CUSTOM

Rear View of Connector



Partner: Sub-Zero
Model: Mura 36UFD
Device Type: Refrigerator


CONTROL:

Set_Night_Icemaking_<On/Off/Toggle>	D	Pulse to have the unit make ice during all hours or just the night hours.
Set_Sabbath_Mode_<On/Off/Toggle>	D	Pulse to enable or disable Sabbath mode.
Set_Heat_Store_<On/Off/Toggle>	D	Pulse to enable or disable heat store mode. This mode maximizes use of low cost energy.
Set_Long_Vacation_<On/Off/Toggle>	D	Pulse to enable or disable long vacation mode. This is for low food preservation and very low energy consumption.
Set_Short_Vacation_<On/Off/Toggle>	D	Pulse to enable or disable short vacation mode. This is for high food preservation.
Set_High_Use_<On/Off/Toggle>	D	Pulse to enable or disable high usage mode. This is for high use situations. This mode will last for 8 hours.
Set_Emergency_Suspend_<On/Off/Toggle>	D	Pulse to enable or disable emergency suspend mode. This causes the appliance to cease using energy for a short term. Can only be triggered once per 24 hours.
Set_DR_Level_*	D	Pulse to set demand response level.
Set_DR_Level_DR0_Delay	D	Pulse to set demand response level to normal, but cannot transition out for 4 hours.
Set_Month_<Up/Down>	D	Press to set month.
Set_Day_<Up/Down>	D	Press to set day.
Set_Year_<Up/Down>	D	Press to set year.
Set_Hour_<Up/Down>	D	Press to set hour.
Set_Minute_<Up/Down>	D	Press to set minute.
Set_Calendar_Time	D	Pulse to send calendar and time settings to unit.
Time_Format_<12/24>	D	Pulse to set time mode to a 12 or 24 hour format.
From_Device	D	Serial information returned via RS-485 port.

FEEDBACK:

Night_Icemaking_Is_<On/Off>	D	Indicates that night icemaking mode is currently on or off.
Sabbath_Mode_Is_<On/Off>	D	Indicates that Sabbath mode is currently enabled or disabled.

Partner: Sub-Zero
Model: Mura 36UFD
Device Type: Refrigerator



Heat_Store_Is_<On/Off>	D	Indicates that heat store mode is currently on or off.
Long_Vacation_Is_<On/Off>	D	Indicates that long vacation mode is enabled or disabled.
Short_Vacation_Is_<On/Off>	D	Indicates that short vacation mode is enabled or disabled.
High_Use_Is_<On/Off>	D	Indicates that high use mode is currently enabled or disabled.
Emergency_Suspend_Is_<On/Off>	D	Indicates that emergency suspend mode is on or off.
Model_Number_Text	S	Displays the model of the unit being controlled.
Refrigerator_Setpoint_Text	S	Displays the current refrigerator setpoint.
Freezer_Setpoint_Text	S	Displays the current freezer setpoint.
Refrigerator_Opened	D	Indicates that the refrigerator door was opened.
Freezer_Opened	D	Indicates that the freezer door was opened.
Refrigerator_Setpoint	D	Indicates that the refrigerator setpoint was changed.
Freezer_Setpoint	D	Indicates that the freezer setpoint was changed.
Ice_Making_Enabled	D	Indicates that icemaking is enabled.
Max_Ice_Enabled	D	Indicates that max ice mode is enabled.
Pure_Air_Enabled	D	Indicates that the air purification system is enabled.
Service_Required	D	Indicates that service is required.
DR_Level_Is_*	D	Indicates the current demand response level.
DR_Level_Is_DR0_Delay	D	Indicates that the demand response level is set to DR0 delay.
DR_Is_<Active/Inactive>	D	Indicates that the demand response mode is currently active or inactive (20min timeout).
DR_Delay_Is_<Active/Inactive>	D	Indicates that the demand response delay is currently active or inactive (4hr timeout).
DR_Remaining_Text	S	Displays the demand response time remaining.
Date_Text	S	Displays the units current date.
Time_Text	S	Displays the units current time.

Partner: Sub-Zero
Model: Mura 36UFD
Device Type: Refrigerator



Set_Date_Text	S	Displays the adjusted date that will be sent to the unit upon pulsing the Set_Calendar_Time signal.
Set_Time_Text	S	Displays the adjusted time that will be sent to the unit upon pulsing the Set_Calendar_Time signal.
Time_Format_Is_<12/24>	D	Indicates that the time format is 12 or 24 hours.
To_Device	S	Serial information sent via RS-485 port.

TESTING:

OPS USED FOR TESTING:	2-Series: v4.003.0015 3-Series: v1.005.0007
SIMPL WINDOWS USED FOR TESTING:	v3.11.15
DEVICE DB USED FOR TESTING:	v45.00.019.00
CRES DB USED FOR TESTING:	v33.05.005.01
SYMBOL LIBRARY USED FOR TESTING:	v828
SAMPLE PROGRAM:	2-Series: Sub-Zero 36UFD v1.0 Demo PRO2.smw 3-Series: Sub-Zero 36UFD v1.0 Demo MC3.smw
REVISION HISTORY:	v1.0 – Original release.