

Partner: Stewart Filmscreen
Model: BRIC
Device Type: Screen



GENERAL INFORMATION

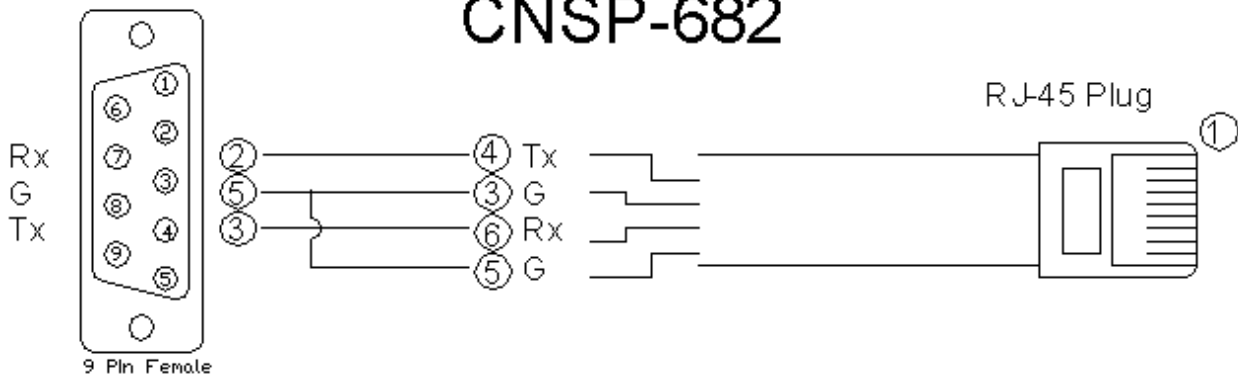
SIMPLWINDOWS NAME:	Stewart Filmscreen BRIC v1.0
CATEGORY:	Shades/Drapes
VERSION:	1.0
SUMMARY:	This module provides RS232 control of the Stewart Filmscreen BRIC.
GENERAL NOTES:	<p>This module provides RS232 control of the Stewart Filmscreen BRIC screen and masking system. There are up to 4 motors in the BRIC. The number of motors and their assignment depend on the model.</p> <p>ABT with Horizontal Mask: Motor A: Screen Motor B: Horizontal Mask Motor C: Door</p> <p>ABT with Vertical Mask: Motor A: Screen Motor B: Vertical Mask Motor C: Door</p> <p>Electriscreen with Horizontal Mask: Motor A: Screen Motor B: Horizontal Mask</p> <p>Electriscreen with Vertical Mask: Motor A: Screen Motor B: Vertical Mask</p> <p>Four-way Screen: Motor A: Top Mask Motor B: Bottom Mask Motor C: Side Mask</p> <p>Ultimate Four-way Screen: Motor A: Top Mask Motor B: Bottom Mask Motor C: Left Mask Motor D: Right Mask</p>

Partner: Stewart Filmscreen
Model: BRIC
Device Type: Screen



CRESTRON HARDWARE REQUIRED:	C2COMI, C2COM-2/3, ST-COM
SETUP OF CRESTRON HARDWARE:	RS232 Baud: 19200 Parity: None Data Bits: 8 Stop Bits: 1
VENDOR FIRMWARE:	N/A
VENDOR SETUP:	The BRIC needs to be assigned a device address. The device address must be entered in the module.
CABLE DIAGRAM:	CNSP-682

Rear View of Connector



Partner: Stewart Filmscreen
Model: BRIC
Device Type: Screen

**CONTROL:**

Motor_<A/B/C/D_<Up/Down/Stop>	D	Pulse to control the motors. (See GENERAL NOTES for motor assignments.)
Home	D	Pulse to return the motors to their home position.
Recall_Preset_*	D	Pulse to recall the desired preset.
Store_Preset_*	D	Pulse to store the current motor positions in the preset.

FEEDBACK:

To_Device	S	Serial signal to be routed to a serial com port.
-----------	---	--

PARAMETERS:

Device ID	P	Enter the device id. Default is 01.
-----------	---	-------------------------------------

TESTING:

OPS USED FOR TESTING:	4.001.1012
SIMPL WINDOWS USED FOR TESTING:	2.12.39
CRESTRON DB USED FOR TESTING:	21.04.015.00
DEVICE DB USED FOR TESTING:	27.01.004.00
SAMPLE PROGRAM:	Stewart Filmscreen BRIC v1.0 Demo
REVISION HISTORY:	V. 1.0 – Original release.