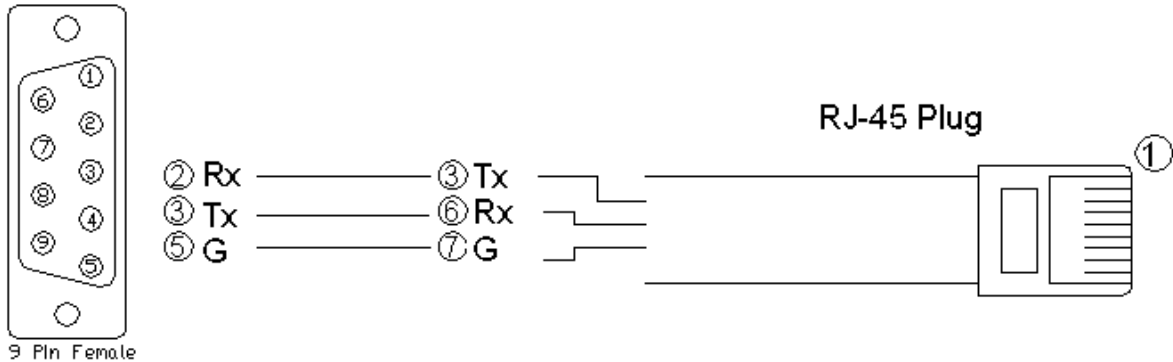


**Partner: Somfy**  
**Model: URTSI II**  
**Device Type: Window Coverings**


**GENERAL INFORMATION**

<b>SIMPLWINDOWS NAME:</b>	Somfy URTSI II v1.0
<b>CATEGORY:</b>	Shades/Drapes
<b>VERSION:</b>	1.0
<b>SUMMARY:</b>	This module will control the Somfy URTSI II control interface.
<b>GENERAL NOTES:</b>	This module will control the Somfy URTSI II (Universal RTS Interface II). Enter the unit ID (1d through 16d) and Channel ID (1d through 16d) of the Somfy device that the URTSI II will be controlling.  This module is SystemBuilder compatible.
<b>CRESTRON HARDWARE REQUIRED:</b>	C2I-COM6, C2-COM2/3, CNXCOM-6, CNX-COM2, ST-COM
<b>SETUP OF CRESTRON HARDWARE:</b>	RS232 Baud: 9600 Parity: None Data Bits: 8 Stop Bits: 1
<b>VENDOR FIRMWARE:</b>	N/A
<b>VENDOR SETUP:</b>	None
<b>CABLE DIAGRAM:</b>	Custom

Rear View of Connector



**Partner: Somfy**  
**Model: URTSI II**  
**Device Type: Window Coverings**

**CONTROL:**

Up	D	Pulse to bring open/raise shade/drapes
Down	D	Pulse to bring lower/close shade/drapes
Stop	D	Pulse to bring stop shade/drapes

**FEEDBACK:**

To_Device	S	Serial signal to be routed to a 2-way serial com port.
-----------	---	--

**PARAMETERS:**

Address	A	The address of the device that the URTSI II will be controlling (values 1 – 16)
Channel	A	The channel of the device that the URTSI II will be controlling (values 1 – 16)

**TESTING:**

OPS USED FOR TESTING:	4.000.0226
SIMPL WINDOWS USED FOR TESTING:	2.10.32
CRES DB USED FOR TESTING:	20.00.013.00
SYMBOL LIBRARY USED FOR TESTING:	567
SAMPLE PROGRAM:	Somfy URTSI II v1.0 Demo PRO2.smw
REVISION HISTORY:	V. 1.0 – Original release.