

Partner: Somfy
 Model: ILT2 + ST-30
 Device Type: Shades/Drapes



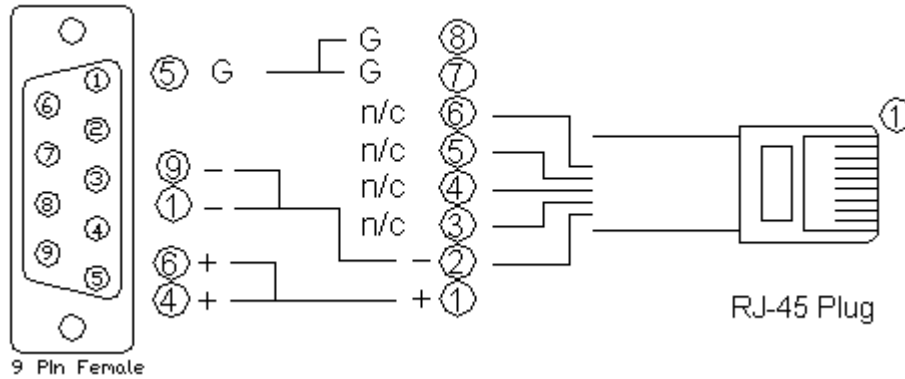
GENERAL INFORMATION

SIMPLWINDOWS NAME:	Somfy ILT2 + ST-30 Serial Queue v2.6
CATEGORY:	Shades/Drapes
VERSION:	2.6
SUMMARY:	This module controls the serial commands being sent to the Somfy ILT2 and ST-30.
GENERAL NOTES:	<p>This module controls the serial commands being sent to the Somfy ILT2 and ST-30. All commands are queued before being sent to the Somfy ILT2 and ST-30.</p> <p>THIS MODULE MUST BE USED.</p> <p>IN ORDER FOR FEEDBACK TO WORK, THE INITIALIZE INPUT ON THE Somfy ILT2 + ST-30 Serial Queue v2.6 module MUST BE PULSED.</p>
CRESTRON HARDWARE REQUIRED:	C2COM-2/3, C2I-COM6, ST-COM
SETUP OF CRESTRON HARDWARE:	<p>RS485</p> <p>Baud: 4800</p> <p>Parity: Odd</p> <p>Data Bits: 8</p> <p>Stop Bits: 1</p>
VENDOR FIRMWARE:	N/A
VENDOR SETUP:	<p>To get the address for the ILT2 and the ST-30 (Sonesse 30 485) you must use the Somfy software. The address from the Somfy software is then entered directly as three bytes.</p> <p>i.e. Somfy software reads address 7C3000, enter this as \x7C\x30\x00</p> <p>Alternate method for ST-30 (Sonesse 30 485) ONLY: The Node ID is printed on the motor. Take the Node ID, reverse the first and last bytes then subtract each byte from 0xFF.</p> <p>i.e. Node ID is 06024A</p> <ol style="list-style-type: none"> 1) Swap the first and last byte – 4A0206 2) Subtract each byte from 0xFF – 0xFF – 0x4A, 0xFF – 0x02, 0xFF – 06 this gives B5 FD F9 3) Enter that as \xB5\xFD\xF9
CABLE DIAGRAM:	Custom

Partner: Somfy
Model: ILT2 + ST-30
Device Type: Shades/Drapes



Rear View of Connector



CONTROL:

Initialize	D	Pulse to request the addresses from all of the connected motor control v2.6 modules.
From_Device	S	Serial signal to be routed from 2-way RS485 com port.
From_Modules	S	Serial signal to be routed from the To_Queue outputs of all other Somfy ILT2 + ST-30 control modules.

FEEDBACK:

To_Device	S	Serial signal to be routed to a 2-way RS485 com port.
To_Module_*	S	Serial signal to be connected to the From_Processor input on the Somfy ILT2 + ST-30 Motor Control v2.6 modules.

Partner: Somfy
Model: ILT2 + ST-30
Device Type: Shades/Drapes

**TESTING:**

OPS USED FOR TESTING:	4.001.1012
SIMPL WINDOWS USED FOR TESTING:	3.01.24
CRESTRON DB USED FOR TESTING:	25.00.002.00
DEVICE DB USED FOR TESTING:	33.00.005.00
SAMPLE PROGRAM:	Somfy ILT2 + ST-30 v2.6 Demo PRO2.smw
REVISION HISTORY:	<p>V. 1.0 – Original release.</p> <p>V. 2.0 – 5-27-2010 – Added support for Somfy's ST-30 motors.</p> <p>V. 2.3 – 6-16-2010 – Address an issue with entering the motor address.</p> <p>V. 2.4 – 8-23-2010 – Addressed an issue with the way the module handles the motor address.</p> <p>V2.6 – 4-25-2011 – Addressed an issue with the way that the group module handles the group address. Changed the Somfy ILT2 + ST-30 Serial Queue v2.6 module to handle initial feedback response and then pass the feedback to the correct Somfy ILT2 + ST-30 Motor Control v2.6. Changed the Somfy ILT2 + ST-30 Motor Control v2.6 module to respond to the Initialize command from the Somfy ILT2 + ST-30 Serial Queue module.</p>