

Partner: Somfy
Model: ILT2 + ST-30
Device Type: Shades/Drapes



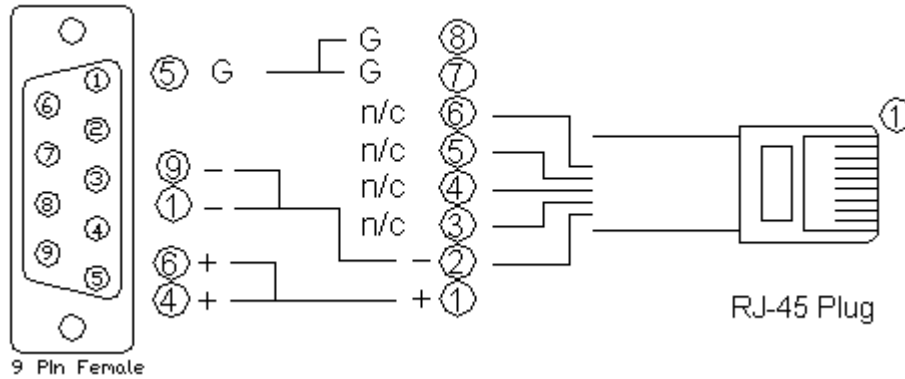
GENERAL INFORMATION

SIMPLWINDOWS NAME:	Somfy ILT2 + ST-30 Group Control v2.6
CATEGORY:	Shades/Drapes
VERSION:	2.6
SUMMARY:	This module will control a group of Somfy ILT2 and ST-30 motors.
GENERAL NOTES:	<p>This module will control a group of Somfy ILT2 and ST-30 motors. It does not provide feedback.</p> <p>There are two sets of up and down buttons on the module.</p> <p>The Three_Button_<Up/Down/Stop> buttons are to be pulsed. The up and down will start the motor moving. The motor will continue to move until either it hits the limit or the stop button is pulsed.</p> <p>The Two_Button_<Up/Down> are press and hold buttons. Pressing the up or down will start the motor moving. It will continue to move until it hits the limit or until the up or down is released.</p> <p>THIS MODULE MUST BE USED WITH THE Somfy ILT2 + ST-30 Serial Queue v2.6 MODULE.</p>
CRESTRON HARDWARE REQUIRED:	C2COM-2/3. C2I-COM6, ST-COM
SETUP OF CRESTRON HARDWARE:	RS485 Baud: 4800 Parity: Odd Data Bits: 8 Stop Bits: 1
VENDOR FIRMWARE:	N/A
VENDOR SETUP:	The Somfy motors must be assigned to a group.
CABLE DIAGRAM:	Custom

Partner: Somfy
Model: ILT2 + ST-30
Device Type: Shades/Drapes



Rear View of Connector



CONTROL:

Three_Button_<Up/Down>	D	Pulse to start the motors moving in either the up or down direction.
Three_Button_Stop	D	Pulse to stop the motors moving.
Two_Button_<Up/Down>	D	Press to start the motors moving in the up or down direction. Release to stop the motors moving.
Recall_Somfy_Intermediate_Point_<1..16>	D	Pulse to recall the intermediate point stored in the Somfy motors.

FEEDBACK:

To_Processor_Module	S	Serial signal to be routed to the From_Modules input on the Somfy ILT2 + ST-30 Serial Queue v2.6 module.
---------------------	---	--

PARAMETER:

Somfy Group Address	P	Enter the address for the group to control. The group 00001 would be entered in this parameter field as \x00\x00\x01.
---------------------	---	---

Partner: Somfy
Model: ILT2 + ST-30
Device Type: Shades/Drapes

**TESTING:**

OPS USED FOR TESTING:	4.001.1012
SIMPL WINDOWS USED FOR TESTING:	3.01.24
CRESTRON DB USED FOR TESTING:	25.00.002.00
DEVICE DB USED FOR TESTING:	33.00.005.00
SAMPLE PROGRAM:	Somfy ILT2 + ST-30 v2.6 Demo PRO2.smw
REVISION HISTORY:	<p>V. 1.0 – Original release.</p> <p>V. 2.0 – 5-27-2010 – Added support for Somfy's ST-30 motors.</p> <p>V. 2.3 – 6-16-2010 – Address an issue with entering the motor address.</p> <p>V. 2.4 – 8-23-2010 – Addressed an issue with the way the module handles the motor address.</p> <p>V2.6 – 4-25-2011 – Addressed and issue with the way that the group module handles the group address. Changed the Somfy ILT2 + ST-30 Serial Queue v2.6 module to handle initial feedback response and then pass the feedback to the correct Somfy ILT2 + ST-30 Motor Control v2.6. Changed the Somfy ILT2 + ST-30 Motor Control v2.6 module to respond to the Initialize command from the Somfy ILT2 + ST-30 Serial Queue module.</p>