

Partner: Sherbourn
Model: IWA-1
Device Type: Miscellaneous



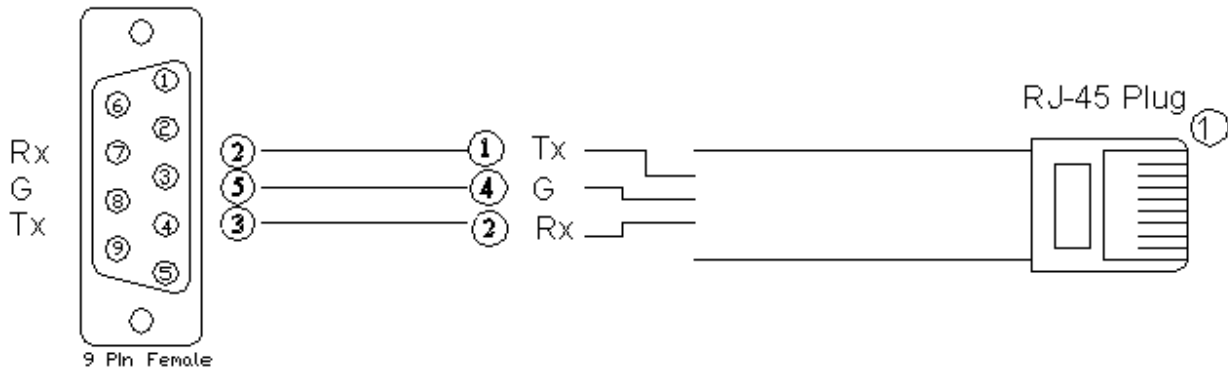
GENERAL INFORMATION

SIMPLWINDOWS NAME:	Sherbourn IWA-1 v1.0
CATEGORY:	Miscellaneous
VERSION:	1.0
SUMMARY:	This module will control the Sherbourn IWA-1 via RS-232.
GENERAL NOTES:	<p>This module will control the Sherbourn IWA-1 RS-232. This module will provide the ability to power on, power off, control the left volume, main volume and right volume. This module will also enable changing the Zone ID of an IWA-1 unit (Note, only one IWA-1 should be connected at a time when performing this function).</p> <p>Changing the Zone ID of an IWA-1 will NOT change the Zone ID hard-coded in the Crestron module parameters. The Crestron module will always control the Zone ID that it was assigned to in programming.</p> <p>Also, the volume and left volume feedback returned from the IWA-1 are the same parameter, so if "left volume" is adjusted, the "volume" feedback will follow the "left volume" feedback.</p> <p>This module is System Builder compatible.</p>
CRESTRON HARDWARE REQUIRED:	CNX-COM2, ST-COM, 2-Series Processor, C2COM3
SETUP OF CRESTRON HARDWARE:	RS232 Baud: 9600 Parity: N Data Bits: 8 Stop Bits: 1
VENDOR FIRMWARE:	Unknown
VENDOR SETUP:	The "On/Off" switch on the IWA-1 must be set to "IR or RS-232" in order to enable control.
CABLE DIAGRAM:	Custom

Partner: Sherbourn
Model: IWA-1
Device Type: Miscellaneous



Rear View of Connector



CONTROL:

Power_On/Off/Toggle	D	Pulse to power on or off.
Volume_Up/Down	D	Press to adjust total volume level.
Mute_On/Off/Toggle	D	Pulse to turn mute on or off.
Left_Volume_Up/Down	D	Press to adjust left volume level.
Right_Volume_Up/Down	D	Press to adjust right volume level.
ID_Read_Current_ID	D	Pulse to read the current Zone ID of a unit (should only have ONE IWA-1 connected to RS-232 port when performing this function).
ID_Select_Current_ID_To_Change_Up/Down	D	Pulse to select the Zone ID of the IWA-1 that will have its Zone ID changed (should only have ONE IWA-1 connected to RS-232 port when performing this function).
ID_Select_New_ID_Up/Down	D	Pulse to select the new Zone ID to be assigned to the currently selected IWA-1 (should only have ONE IWA-1 connected to RS-232 port when performing this function).
ID_Change_ID	D	Press and hold for 5s to change the Zone ID of the currently selected IWA-1 to the new Zone ID selected (should only have ONE IWA-1 connected to RS-232 port when performing this function).
Poll_Status	D	Pulse to poll IWA-1's current status. Should only be done when initializing the Crestron system or updating a touchpanel.
From_Device	S	Serial signal to be routed from an RS-232C port.

FEEDBACK:

Partner: Sherbourn
Model: IWA-1
Device Type: Miscellaneous



Power_Is_On/Off	D	Indicates the current power status.
Volume_Gauge	A	Provides the current volume level to be displayed on a gauge.
Volume_Text	S	Provides the current volume level to be displayed on an indirect text field.
Mute_Is_On/Off	D	Indicates the current mute status.
Left_Volume_Gauge	A	Provides the current left volume level to be displayed on a gauge.
Left_Volume_Text	S	Provides the current left volume level to be displayed on an indirect text field.
Right_Volume_Gauge	A	Provides the current right volume level to be displayed on a gauge.
Right_Volume_Text	S	Provides the current right volume level to be displayed on an indirect text field.
ID_Current_ID_Read_Text	S	Displays the Zone ID of the IWA-1.
ID_Current_ID_To_Change_Text	S	Displays the Zone ID of the IWA-1 selected to be changed.
ID_New_ID_Text	S	Displays the new Zone ID the selected IWA-1 will be changed to.
ID_Change_ID_Sent	D	Indicates that the Zone ID change command has been sent.
From_Device	S	Serial signal to be routed from an RS-232C port

PARAMETERS:

Zone_ID	P	Enter the Zone ID of the IWA-1 that this module will be controlling (Default is 0).
---------	---	---

TESTING:

OPS USED FOR TESTING:	v4.001.1012
SIMPL WINDOWS USED FOR TESTING:	v2.11.27.00
DEVICE DB USED FOR TESTING:	v21.05.025.00
CRES DB USED FOR TESTING:	v20.06.048.00
SYMBOL LIBRARY USED FOR TESTING:	V626
SAMPLE PROGRAM:	Sherbourn IWA-1 v1.0 Demo PRO2
REVISION HISTORY:	v1.0 – Initial release

Partner: Sherbourn
Model: IWA-1
Device Type: Miscellaneous

