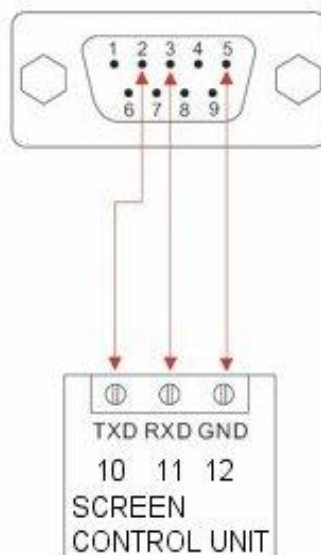


Partner: Screen Research
Model: E-Mask
Device Type: Device Interface



GENERAL INFORMATION:

SIMPLWINDOWS NAME:	Screen Research E-Mask v1.0
CATEGORY:	Device Interface
VERSION:	1.0
SUMMARY:	This module can control a motorized Screen Research E-Mask screen.
GENERAL NOTES:	The module controls the E-Mask series screen, you can move the masks of the screen, all the movements run until you pulse the "Stop" digital input. You can also move the masks "in step". In addition to these functions, you can save or recall up to six preset position of these masks.
CRESTRON HARDWARE REQUIRED:	A processor with a serial RS-232 port.
SETUP OF CRESTRON HARDWARE:	Serial Port setting: Baud Rate: 19200 Parity: N Data Bits: 8 Stop Bits: 1 SW Handshaking: None HW Handshaking: None
VENDOR FIRMWARE:	FW Version 4.00.4377
VENDOR SETUP:	The Screen Research E-Mask series connected with a Screen Research MCS-N-RS232 control unit.
CABLE DIAGRAM:	Straight RS-232 cable



Partner: Screen Research
Model: E-Mask
Device Type: Device Interface


CONTROL:

M1_Mask_Open	D	Pulse to open the mask of motor 1.
M1_Mask_Step_Open	D	Pulse to open the mask of motor 1 with one step.
M1_Mask_Stop	D	Pulse to stop the mask of motor 1.
M1_Mask_Close	D	Pulse to close the mask of motor 1.
M1_Mask_Step_Close	D	Pulse to close the mask of motor 1 with one step.
M2_Mask_Open	D	Pulse to open the mask of motor 2.
M2_Mask_Step_Open	D	Pulse to open the mask of motor 2 with one step.
M2_Mask_Stop	D	Pulse to stop the mask of motor 2.
M2_Mask_Close	D	Pulse to close the mask of motor 2.
M2_Mask_Step_Close	D	Pulse to close the mask of motor 2 with one step.
Save_format_1..6	D	Pulse to save the current user format at the corresponding user slot.
Recall_Format_1..6	D	Pulse to recall the user format at the corresponding user slot.
To_Device	S	Serial signal to be routed to a two-way serial driver

PARAMETERS:

Motor 1 ID	INT	ID associated with motor 1. Values range from 2 till 254.
Motor 2 ID	INT	ID associated with motor 2. Values range from 2 till 254

FEEDBACK:

From_Device	S	Serial signal to be routed from a two-way serial driver.
-------------	---	--

Partner: Screen Research
Model: E-Mask
Device Type: Device Interface

**TESTING:**

OPS USED FOR TESTING:	PRO2 4.007.0004 MC3 1.005.0015
SIMPL WINDOWS USED FOR TESTING:	V4.01.10.01
CRESTRON DB USED FOR TESTING:	V36.05.015.00
DEVICE DB USED FOR TESTING:	V47.05.005.00
SAMPLEPROGRAM:	Screen Research E-Mask Demo PRO2 Screen Research E-Mask Demo MC3
REVISION HISTORY:	V. 1.0