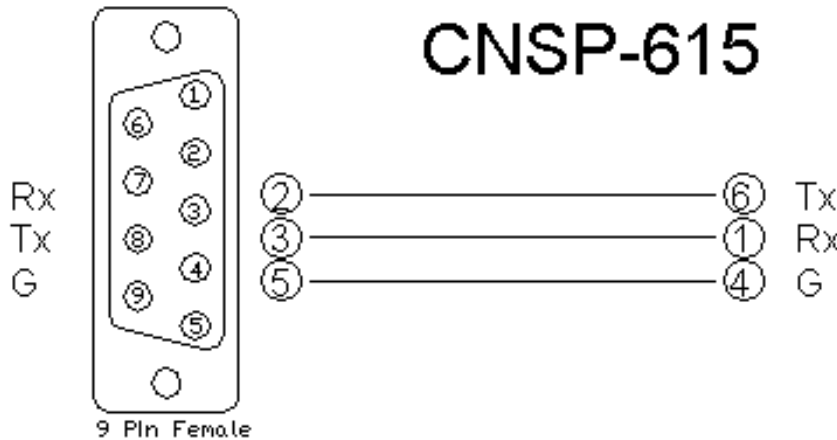


Partner: Sanyo
Model: PLC-XU100
Device Type: Video Projector


GENERAL INFORMATION

SIMPLWINDOWS NAME:	Sanyo PLC-XU100
CATEGORY:	Video/Data Projector
VERSION:	1.0
SUMMARY:	This module provides control and true feedback for the Sanyo PLC-XU100 LCD projector.
GENERAL NOTES:	This module provides control for the Sanyo PLC-XU100 LCD projector. It also provides true feedback.
CRESTRON HARDWARE REQUIRED:	C2I-COM6, C2NCOM-2/3, CNX-COM6, CNX-COM2, ST-COM
SETUP OF CRESTRON HARDWARE:	RS232 Baud: 19200 Parity: None Data Bits: 8 Stop Bits: 1
VENDOR FIRMWARE:	N/A
VENDOR SETUP:	None
CABLE DIAGRAM:	CNSP-615

Rear View of Connector



Partner: Sanyo
Model: PLC-XU100
Device Type: Video Projector

**CONTROL:**

Power_On/Off/Toggle	D	Pulse to turn the projector on and off.
Input_*	D	Pulse to select the desired input.
Picture_Mute_On/Off/Toggle	D	Pulse to turn the picture mute on and off.
Aspect_Ratio_*	D	Pulse to select the desired aspect ratio.
Volume_Up/Down	D	Press and hold to adjust the volume.
Volume_Mute_On/Off/Toggle	D	Pulse to turn the volume mute on and off.
Image_*	D	Pulse to select the desired image setting.
Freeze_On/Off/Toggle	D	Pulse to turn the freeze on and off.
Zoom_In/Out	D	Press and hold to adjust the zoom.
Poll_Enable	D	Hold high to enable polling.
From_Device\$	S	Serial signal to be routed from a 2-way serial com port.

Partner: Sanyo
Model: PLC-XU100
Device Type: Video Projector

**FEEDBACK:**

Power_On/Off_Fb	D	High to indicate the current power state.
Warming_Up_Fb	D	High to indicate that the projector is warming up.
Cooling_Down_Fb	D	High to indicate that the projector is cooling down.
Error_*_Fb	D	High to indicate an error.
Input_*_Fb	D	High to indicate the currently selected input.
Picture_Mute_On/Off_Fb	D	High to indicate the current picture mute state.
Aspect_Ratio_*_Fb	D	High to indicate the currently selected aspect ratio.
Volume_Bar	A	Analog signal indicating the current volume level. To be displayed using a bar graph on a touch panel.
Volume_Mute_On/Off_Fb	D	High to indicate the current volume mute state.
Image_*_Fb	D	High to indicate the currently selected image setting.
Freeze_On/Off_Fb	D	High to indicate the current freeze state.
Communicating_Fb	D	High to indicate that the projector is communicating with the Crestron processor.
Lamp_Hours	A	Analog value indicating the current lamp hours.
To_Device\$	S	Serial signal to be routed to a 2-way serial com port.

Partner: Sanyo
Model: PLC-XU100
Device Type: Video Projector

**TESTING:**

OPS USED FOR TESTING:	PRO2: Cntrl Eng v3.155.1143 (Jun 20 2006) Compiler: v 2.07.22
SIMPL WINDOWS USED FOR TESTING:	2.08.26
CRES DB USED FOR TESTING:	18.5
SYMBOL LIBRARY USED FOR TESTING:	444
SAMPLE PROGRAM:	Sanyo PLC-XU100 Demo
REVISION HISTORY:	V. 1.0