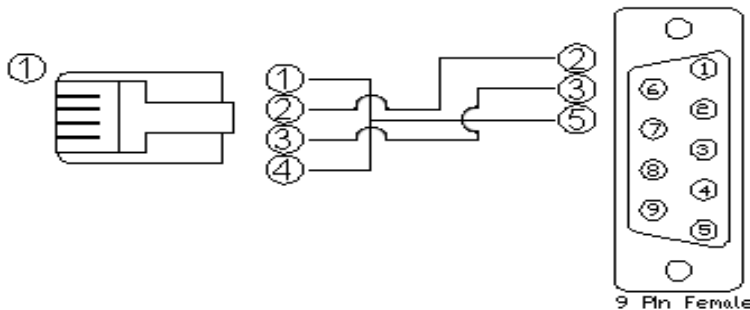


Partner: Runco  
 Model: RS-900 RS-1100  
 Device Type: TV/Video Projector



**GENERAL INFORMATION**

<b>SIMPLWINDOWS NAME:</b>	Runco RS-900 RS-1100 v1.0.umc
<b>CATEGORY:</b>	TV/Video Projector
<b>VERSION:</b>	1.0
<b>SUMMARY:</b>	Controls the Runco RS-900 / RS-1100 Projectors using the ASCII protocol
<b>GENERAL NOTES:</b>	<p>This module was tested using the RS-900 projector and should also control the RS-1100 projector. The RS-1100 allows for control of the PIP feature. PIP will not function on the RS-900 unit.</p> <p>The module allows for control of Power ON/Off Functions. Input selection, aspect ratio selection and on screen menu control are also allowed.</p> <p>On startup the module will set the projector to the parameter settings but will ignore these settings after initial start. Power status cannot be polled and will be known based on feedback after first power on. All feedback is generated from the unit.</p>
<b>CRESTRON HARDWARE REQUIRED:</b>	CNCOMH-2, CNXCOM, ST-COM, C2COM
<b>SETUP OF CRESTRON HARDWARE:</b>	RS232 Baud: 19200 Parity: N Data Bits: 8 Stop Bits: 1
<b>VENDOR FIRMWARE:</b>	N/A
<b>VENDOR SETUP:</b>	Power status will not be reflected until after first power on command. Use the parameters to set the default input/aspect and orientation states.
<b>CABLE DIAGRAM:</b>	RJ-11 (4 pin) to 9 pin D-Sub (female)



**Partner: Runco**  
**Model: RS-900 RS-1100**  
**Device Type: TV/Video Projector**

**CONTROL:**

Power_On	D	Pulse to turn the unit on
Power_Off	D	Pulse to turn the unit off
Input_Composite	D	Pulse to select the composite video input
Input_S-Video	D	Pulse to select the S Video input
Input_Component_1	D	Pulse to select the Component 1 video input
Input_Component_2	D	Pulse to select the Component 2 video input
Input_HDMI_1	D	Pulse to select the HDMI 1 video input
Input_HDMI_2	D	Pulse to select the HDMI 2 video input
Input_RGBHV	D	Pulse to select the RGBHV video input
Menu	D	Pulse to activate the on screen menu
Enter	D	Pulse to select the highlighted on screen menu item
Exit	D	Pulse to exit the on screen menu
Up	D	Pulse to move the on screen cursor up
Down	D	Pulse to move the on screen cursor down
Left	D	Pulse to move the on screen cursor left
Right	D	Pulse to move the on screen cursor right
Show_Active	D	Pulse to show the active input info
Key_0	D	Pulse to actuate keypad 0 digit
Key_1	D	Pulse to actuate keypad 1 digit
Key_2	D	Pulse to actuate keypad 2 digit
Key_3	D	Pulse to actuate keypad 3 digit
Key_4	D	Pulse to actuate keypad 4 digit

**Partner: Runco**  
**Model: RS-900 RS-1100**  
**Device Type: TV/Video Projector**



Key_5	D	Pulse to actuate keypad 5 digit
Key_6	D	Pulse to actuate keypad 6 digit
Key_7	D	Pulse to actuate keypad 7 digit
Key_8	D	Pulse to actuate keypad 8 digit
Key_9	D	Pulse to actuate keypad 9 digit
Increase_PIP_Window	D	Pulse to increase the PIP window size
Decrease_PIP_Window	D	Pulse to decrease the PIP window size
Swap_PIP	D	Pulse to swap pip image
PIP_On	D	Pulse to turn PIP on
PIP_Off	D	Pulse to turn PIP off
Aspect_16x9	D	Pulse to set aspect ratio to 16 x 9
Aspect_4x3	D	Pulse to set aspect ratio to 4 x 3
Aspect_Letterbox	D	Pulse to set aspect ratio to letterbox
Aspect_Virtual_Wide	D	Pulse to set aspect ratio to virtual wide
Aspect_Cinema	D	Pulse to set aspect ratio to cinema
Aspect_Virtual_Cinema	D	Pulse to set aspect ratio to virtual cinema
Image_Orientation_Floor_Front	D	Pulse to set image orientation to front floor
Image_Orientation_Ceiling_Front	D	Pulse to set image orientation to front ceiling
Image_Orientation_Floor_Rear	D	Pulse to set image orientation to rear floor
Image_Orientation_Ceiling_Rear	D	Pulse to set image orientation to rear ceiling
Restore_Settings_Custom_1	D	Pulse to restore image settings to custom 1
Restore_Settings_Custom_2	D	Pulse to restore image settings to custom 2
Restore_Settings_ISF_Day	D	Pulse to restore image settings to ISF day
Restore_Settings_ISF_Night	D	Pulse to restore image settings to ISF night

**Partner: Runco**  
**Model: RS-900 RS-1100**  
**Device Type: TV/Video Projector**



Default_Picture_Adjust_Options	D	Pulse to restore all picture adjust options to default
Default_Setup_Menu_Options	D	Pulse to restore all setup menu options to default
Set_Gamma_to_2.2	D	Pulse to set gamma to 2.2
From_Device	S	Serial signal to be routed from a 2 way RS232 port

### FEEDBACK:

Power_Is_On	D	High to indicate that power is on
Power_Is_Off	D	High to indicate that power is off
Input_Is_Composite	D	High to indicate that the input is composite video
Input_Is_S-Video	D	High to indicate that the input is S video
Input_Is_Component_1	D	High to indicate that the input is component 1 video
Input_Is_Component_2	D	High to indicate that the input is component 2 video
Input_Is_HDMI_1	D	High to indicate that the input is HDMI 1 video
Input_Is_HDMI_2	D	High to indicate that the input is HDMI 2 video
Input_Is_RGBHV	D	High to indicate that the input is RGBHV video
PIP_Is_On	D	High to indicate that PIP is on
PIP_Is_Off	D	High to indicate that PIP is off
Aspect_Is_16X9	D	High to indicate that the aspect ratio is 16 x 9
Aspect_Is_4X3	D	High to indicate that the aspect ratio is 4 x 3
Aspect_Is_Letterbox	D	High to indicate that the aspect ratio is letterbox
Aspect_Is_Virtual_Wide	D	High to indicate that the aspect ratio is virtual wide
Aspect_Is_Cinema	D	High to indicate that the aspect ratio is cinema
Aspect_Is_Virtual_Cinema	D	High to indicate that the aspect ratio is virtual cinema
Orientation_Is_Floor_Front	D	High to indicate that the orientation is floor front

**Partner: Runco**  
**Model: RS-900 RS-1100**  
**Device Type: TV/Video Projector**



Orientation_Is_Floor_Rear	D	High to indicate that the orientation is ceiling front
Orientation_Is_Ceiling_Front	D	High to indicate that the orientation is floor rear
Orientation_Is_Ceiling_Rear	D	High to indicate that the orientation is ceiling rear
To_Device	S	Serial signal to be routed to a 2 way RS232 port

### PARAMETERS:

Default Start Input	P	Pull down window to select default start up input
Default Start Aspect	P	Pull down window to select default start up aspect ratio
Default Start Orientation	P	Pull down window to select default start up orientation

### TESTING:

OPS USED FOR TESTING:	PRO2 Cntrl Eng [v3.155.1240 (Feb 12 2007), #7F0057E2]
SIMPL WINDOWS USED FOR TESTING:	2.10.32
CRESTRON DB USED FOR TESTING:	20.00.005.00
DEVICE DB USED FOR TESTING:	20.00.011.00
SAMPLE PROGRAM:	Runco RS-900 RS-1100 v1.0 Demo Pro2.smw
REVISION HISTORY:	V. 1.0