

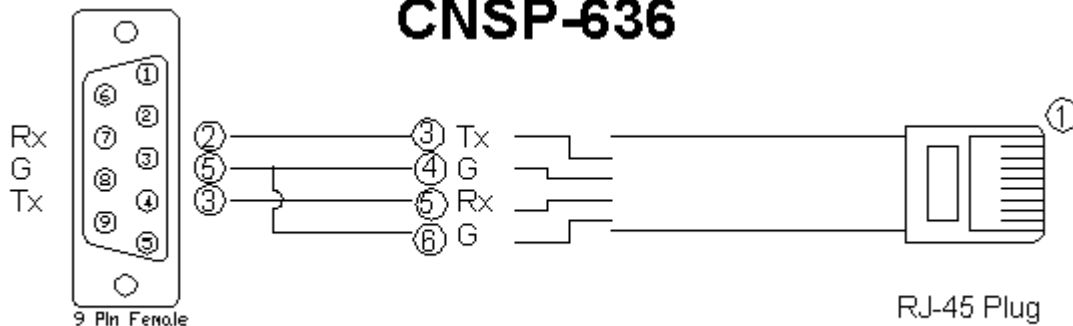
Partner: Rotel  
 Model: RX-1052 Receiver  
 Device Type: Receiver/Processor



**GENERAL INFORMATION**

<b>SIMPLWINDOWS NAME:</b>	Rotel RX-1052 Receiver
<b>CATEGORY:</b>	Receiver/Processor
<b>VERSION:</b>	1.00
<b>SUMMARY:</b>	This module controls all functions of the Rotel RX-1052 Receiver
<b>GENERAL NOTES:</b>	<p>This module controls all functions of the Rotel RX-1052 Receiver.</p> <p>At the time of module creation, the Main volume control controls whatever zone volume currently is on the display.</p> <p>If the Main Zone is off, the tuner cannot be controlled.</p> <p>Each of the items is a limitation of the device itself, rather than a fault of the module.</p>
<b>CRESTRON HARDWARE REQUIRED:</b>	C21-COM, ST-COM, C2-COM-* or CNX-COM2
<b>SETUP OF CRESTRON HARDWARE:</b>	<p>RS232</p> <p>Baud: 19200</p> <p>Parity: None</p> <p>Data Bits: 8</p> <p>Stop Bits: 1</p>
<b>VENDOR FIRMWARE:</b>	Unknown
<b>VENDOR SETUP:</b>	None
<b>CABLE DIAGRAM:</b>	CNSP-636

Rear View of Connector



**Partner: Rotel**  
**Model: RX-1052 Receiver**  
**Device Type: Receiver/Processor**

**CONTROL:**

Power_*	D	Pulse to turn power On / Off /Toggle
Display_On/Off	D	Pulse to Toggle the display On/Off
Speaker_A	D	Pulse to Toggle Speaker A On/Off
Speaker_B	D	Pulse to Toggle Speaker B On/Off
Treble_*	D	Press and hold to increase/decrease the Treble
Bass_*	D	Press and hold to increase/decrease the Bass
Main_Power_*	D	Pulse to Turn On/Off/Toggle the power for the Main zone
Main_Input_*	D	Pulse to select the input for the main zone
Main_Volume_*	D	Press and Hold to change the volume for the Main Zone
Main_Mute_*	D	Pulse to toggle/on/off the mute status for the main zone
Z2_Power_*	D	Pulse to toggle / power on / power off / toggle Z2 Power
Z2_Input_*	D	Pulse to select the input for Zone 2
Z2_Volume_*	D	Press and Hold to change the volume for Zone 2
Z3_Power_*	D	Pulse to toggle / power on / power off / toggle Z3 Power
Z3_Input_*	D	Pulse to select the input for Zone 3
Z3_Volume_*	D	Press and Hold to change the volume for Zone 3
Z4_Power_*	D	Pulse to toggle / power on / power off / toggle Z4 Power
Z4_Input_*	D	Pulse to select the input for Zone 4
Z4_Volume_*	D	Press and Hold to change the volume for Zone 4
Record_*	D	Pulse to select the input for the Record feed
OSD_*	D	Pulse to navigate through the OSD controls

**Partner: Rotel**  
**Model: RX-1052 Receiver**  
**Device Type: Receiver/Processor**



<b>Key_*</b>	D	Pulse to select stations / presets for the built-in AM/FM Tuner. (Note – these controls only function if the Main Zone is on)
<b>Preset/Scan</b>	D	Pulse to Scan through the programmed presets. (Note – these controls only function if the Main Zone is on)
<b>Band_*</b>	D	Pulse to toggle though or select the AM/FM radio bands. (Note – these controls only function if the Main Zone is on)
<b>Tune_*</b>	D	Pulse to tune through the AM/FM stations based on the mode selected. (Note – these controls only function if the Main Zone is on)
<b>Memory/Enter</b>	D	Pulse to make the currently tuned station a preset, then select the preset to be saved to using the Key_* inputs, then allow to timeout. Then, the current station will be saved to the preset that was selected. (Note – these controls only function if the Main Zone is on)
<b>Tune/Preset</b>	D	Pulse to toggle between Tune and Preset Mode. (Note – these controls only function if the Main Zone is on)
<b>Tune_Select</b>	D	Pulse to Select Tune Mode. (Note – these controls only function if the Main Zone is on)
<b>Preset_Select</b>	D	Pulse to Select Preset Mode. (Note – these controls only function if the Main Zone is on)
<b>Frequency</b>	D	Pulse to select Frequency Direct Mode. From here, you can enter the exact frequency desired using the Key_* inputs. (Note – these controls only function if the Main Zone is on)
<b>Mono</b>	D	Pulse to make a tuned FM stereo station play in Mono. (Note – these controls only function if the Main Zone is on)
<b>Party_Mode</b>	D	Pulse to toggle into and out of Party Mode
<b>From_Device\$</b>	S	Signal tied to the RX of the RS-232 module connected to the receive side from the RV-8 for real feedback

**Partner: Rotel**  
**Model: RX-1052 Receiver**  
**Device Type: Receiver/Processor**

**FEEDBACK:**

<b>Power-*_Fb</b>	D	Feedback indicating the RX-1052's Main Power Status
<b>Speaker_*_Fb</b>	D	Feedback indicating Speaker A's and Speaker B's status
<b>Main_Input_*_Fb</b>	D	Feedback Indicating the current Source for the Main Zone
<b>Main_Volume_Bar</b>	A	Analog feedback to be tied to a touch panel analog gauge indicating the current volume for the Main Zone
<b>Z2_Power-*_Fb</b>	D	Feedback indicating the RX-1052's Zone 2 Power Status
<b>Z2_Input_*_Fb</b>	D	Feedback Indicating the current Source for Zone 2
<b>Z2_Volume_Bar</b>	A	Analog feedback to be tied to a touch panel analog gauge indicating the current volume for Zone 2
<b>Z3_Power-*_Fb</b>	D	Feedback indicating the RX-1052's Zone 3 Power Status
<b>Z3_Input_*_Fb</b>	D	Feedback Indicating the current Source for Zone 3
<b>Z3_Volume_Bar</b>	A	Analog feedback to be tied to a touch panel analog gauge indicating the current volume for Zone 3
<b>Z4_Power-*_Fb</b>	D	Feedback indicating the RX-1052's Zone 4 Power Status
<b>Z4_Input_*_Fb</b>	D	Feedback Indicating the current Source for Zone 4
<b>Z4_Volume_Bar</b>	A	Analog feedback to be tied to a touch panel analog gauge indicating the current volume for Zone 4
<b>Record_*_Fb</b>	D	Feedback Indicating the current Source for the Record Feed
<b>Auto_Fb</b>	D	Feedback indicating that the tuner will auto-lock to the currently tuned station
<b>Memory_Fb</b>	D	Feedback indicating that the device is in memory mode and is waiting for a preset number to save the currently tuned station to.
<b>Zone_Fb</b>	D	Feedback indicating that the currently displayed control on the LCD is a Zone, and not the Main zone
<b>Standby_Fb</b>	D	Feedback indicating that the Standby LED is on
<b>Stereo_Fb</b>	D	Feedback indication that the currently selected station is broadcasting and being received in Stereo
<b>Tuned_Fb</b>	D	Feedback Indicating that the currently selected station is "Tuned Locked"

**Partner: Rotel**  
**Model: RX-1052 Receiver**  
**Device Type: Receiver/Processor**



<b>AM_Fb</b>	D	Feedback Indicating that the currently selected station is an AM Station
<b>FM_Fb</b>	D	Feedback Indicating that the currently selected station is an FM Station
<b>RBDS_Fb</b>	D	Feedback Indicating that the currently tuned station has RBDS encoded data
<b>RDS_Fb</b>	D	Feedback Indicating that the currently tuned station has RDS encoded data
<b>Display\$</b>	S	Serial data to be routed to a touch panel indirect text field indicating exactly what is in the RX-1052's display text field
<b>To_Device\$</b>	S	Serial signal to be routed to the TX side of the com port used to control the device

## TESTING:

<b>OPS USED FOR TESTING:</b>	PRO2: 3.137 CNMSX-Pro: 5.14.02x
<b>SIMPL WINDOWS USED FOR TESTING:</b>	2.06.20
<b>SAMPLE PROGRAM:</b>	Rotel RX-1052 Receiver Demo
<b>REVISION HISTORY:</b>	V. 1.0