

Partner: Rotel
Model: RSX-1067
Device Type: Receiver Processor



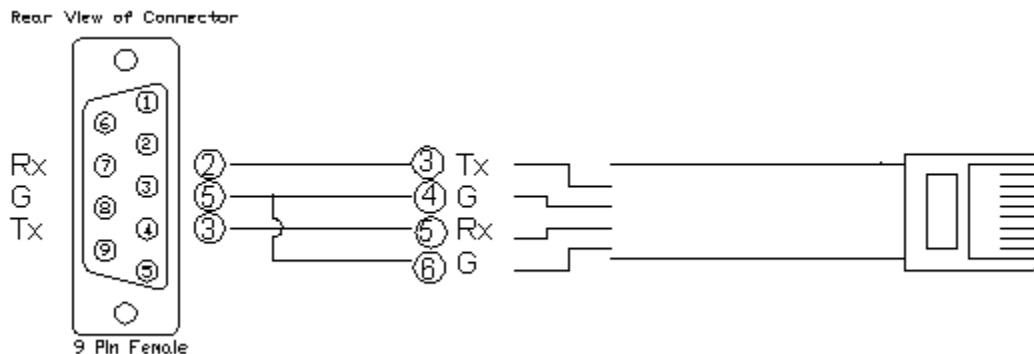
GENERAL INFORMATION

SIMPLWINDOWS NAME:	Rotel RSX-1067 Receiver.umc
CATEGORY:	Receiver
VERSION:	1.0
SUMMARY:	This module will control all functions of the Rotel RSX-1067 Receiver with true display feedback.
GENERAL NOTES:	<p>This module will control all functions of the Rotel RSX-1067 Receiver. The module provides true "Display" feedback emulating the Rotel's front display. Functions provided include the control of both main and zone input selection and settings, zone and record source selection, surround mode selection, surround speaker level adjustments, and tuner preset selection. Separate discrete feedback is provided for the Main/Zone source selection, the record zone source selection, and the main/zone volume level.</p> <p>Note that for surround mode selection, certain selections are only valid while certain sources are selected. So choosing a particular surround mode may actually cause a slightly different mode to be activated on the Rotel system. However, since true feedback is provided, the actual surround mode currently active will be reflected on the output of this module. Also note that some functions for multi-zone and record zones are not valid at all times.</p> <p>NOTE: This module depends on feedback from the device. You cannot comment out the FROM_DEVICE\$ serial input. This serial signal must be used for proper module operation.</p>
CRESTRON HARDWARE REQUIRED:	CNCOMH-2, CNXCOM-2, ST-COM, C2-COM
SETUP OF CRESTRON HARDWARE:	RS232 Baud: 19200 Parity: N Data Bits: 8 Stop Bits: 1
VENDOR FIRMWARE:	V1.1.7 SEE MANUFACTURE'S PROCEDURES FOR VERIFICATION
VENDOR SETUP:	None

Partner: Rotel
Model: RSX-1067
Device Type: Receiver Processor



CABLE DIAGRAM: CNSP-636 or Rotel supplied cable


CONTROL:

	D	Power the unit on/off
Volume_Up/Down/Mute	D	Assert to change device's current main/zone volume level
*_Contour_Up/Down	D	Assert to change device's current HF and LF Levels
Main/Zone_Select	D	Pulse to select desired zone for input source selection and control
Main_Zone_*	D	Pulse to select main/Zone input source
Record_*	D	Pulse to select the record input source
Surround_Modes	D	Pulse to select the surround mode
FM/AM	D	Pulse to select tuner band
CH*	D	Pulse to select numbers on numeric keypad. Used for tuner presets and station direct entry
Preset_Scan	D	Pulse to scan Tuner presets
Freq_Direct	D	Pulse to enable tuner's direct station entry
Band	D	Pulse to select Tuner band

Partner: Rotel
Model: RSX-1067
Device Type: Receiver Processor



Mono	D	Pulse to toggle tuner's Stereo/Mono modes
Memory/Enter	D	Pulse to select memory enter/store
Tune_Preset	D	Pulse to toggle tuner's tune/preset selection modes. (Tuning_Select and Preset select for direct button control)
Tuning_Up/Down	D	Pulse to increment tuners station frequency or preset depending on selected tuner mode
OSD_*	D	Pulse to select and navigate receiver's on screen displays
Dimension/Center_Up/Down	D	Assert to change device's current surround speaker levels (C, S, R)
RDS_*	D	Pulse to select tuner's various reception modes
Filter_EQ	D	Pulse to select Cinema Equalization
Digital_In_Select	D	Pulse to select receiver's digital inputs
Refresh	D	Pulse to refresh indirect text display
Source	D	Pulse to toggle through available input sources in current main/zone
From_Device\$	S	Serial data signal from a 2-way com port

FEEDBACK:

Main_Volume_Bar	A	Indicates the volume level in main zone
Zone_Volume_Bar	A	Indicates the volume level in Zone 2
Main_Active	D	Indicates that the main area is active for source selection and volume adjustments
Zone_Active	D	Indicates that the zone area is active for source selection and volume adjustments
Main/Zone_*_Fb	D	True feedback indicating the source currently selected for the main or zone area...whichever is active
Record_*_Fb	D	True feedback indicating the source currently selected for the record area

Partner: Rotel
Model: RSX-1067
Device Type: Receiver Processor



Text_Line_1\$	S	Serial string containing the text displayed on the first line of the display
Text_Line_2\$	S	Serial string containing the text displayed on the second line of the display
(Display LED's)_FB	D	Directly emulates all of the LED feedback indicators on the front display of the Rotel unit
To_Device\$	S	Serial signal to be routed to a 2-way RS232 port

TESTING:

OPS USED FOR TESTING:	PRO2 Cntrl Eng [v3.177 (Release)]
COMPILER USED FOR TESTING:	2.00.31
SAMPLE PROGRAM:	Rotel RSX-1067 Receiver Demo Pro2.smw
REVISION HISTORY:	1.0