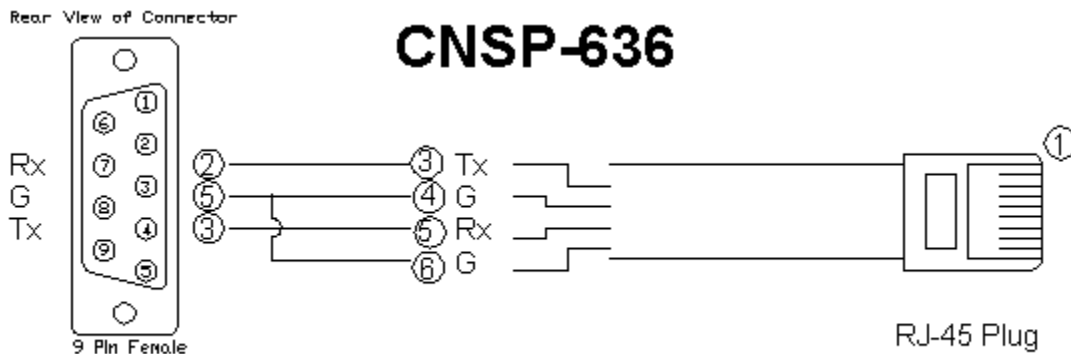


Partner: Rotel
 Model: RSX-1057
 Device Type: Processor



GENERAL INFORMATION

SIMPLWINDOWS NAME:	Rotel RSX-1057
CATEGORY:	Surround Sound Processor
VERSION:	1.0
SUMMARY:	Controls all standard functions and provides true feedback
GENERAL NOTES:	This module will control all of the standard functions on a Rotel RSX-1057 Surround Sound Processor. True feedback for most functions is provided by the processor. Functions provided include main zone control, as well as zone and record area source selection. True feedback emulating the display on the front of the Rotel unit is provided. This displays almost all settings of the unit. Separate discrete feedback is provided for the Main/Zone source selection, the record zone source selection, and the main and zone area volume levels.
CRESTRON HARDWARE REQUIRED:	C2I-COM, ST-COM, CNX-COM6, CNX-COM2, C2-COM2/3
SETUP OF CRESTRON HARDWARE:	RS232 Baud: 19,200 Parity: N Data Bits: 8 Stop Bits: 1
VENDOR FIRMWARE:	None
VENDOR SETUP:	None
CABLE DIAGRAM:	CNSP-636



Partner: Rotel
Model: RSX-1057
Device Type: Processor


CONTROL:

Main/Zone_Power_On/Off/Toggle	D	Turns the main or zone power on and off.
Main/Zone/Record_*	D	Pulse to select the main or zone source.
Main/Zone_Volume_Up/Down	D	Press and hold to adjust the main or zone volume level.
Main/Zone_Volume_Mute_On/Off/Toggle	D	Pulse to turn the main zone volume mute on and off.
Surround_Mode_*	D	Pulse to select the desired surround mode.
Surround+	D	Pulse to advance to the next surround mode.
Center/Sub/Rear	D	Pulse to select which channel to adjust.
Volume_Up/Down/Mute	D	Adjust the main or zone volume level up/down
PL2_*_Up/Down	D	Press and hold to adjust the PL2 Dimension or Center Width.
Shift	D	Pulse to activate the shift function.
DD_EX_On/Off	D	Pulse to turn the DD_EX function on or off.
Tuning/Preset_Select	D	Pulse to select the tuning or preset adjustment.
Treble/Bass_Up/Down	D	Press and hold to adjust the Treble or Bass.
OSD_*	D	Pulse to use the on screen menus
Display_On/Off	D	Pulse to turn the display on and off.
Refresh	D	Pulse to refresh the feedback.
From_Device\$	S	Serial signal to be routed from a 2-way serial com port.

Partner: Rotel
Model: RSX-1057
Device Type: Processor

**FEEDBACK:**

Main/Zone/Record_*_Fb	D	High to indicate the currently selected source for the main, zone and record outputs.
Zone_Power_On/Off_Fb	D	High to indicate the current zone power state.
Main/Zone_Volume_Level	A	Analog outputs indicating the main and zone volume level.
Text\$	S	Serial string containing the text displayed on the front of the Rotel unit.
*_FB	D	Directly emulates all of the LED feedback indicators on the front display of the Rotel unit.
To_Device\$	S	Serial signal to be routed to a 2-way serial com port.

TESTING:

OPS USED FOR TESTING:	3.137
SIMPL WINDOWS USED FOR TESTING:	Simpl Windows v. 2.07.36
CRES DB USED FOR TESTING:	18.1.14
SYMBOL LIBRARY USED FOR TESTING:	396
SAMPLE PROGRAM:	Rotel RSX-1057 Demo
REVISION HISTORY:	1.0