

Partner: Rotel
Model: RSP-1098
Device Type: Processor



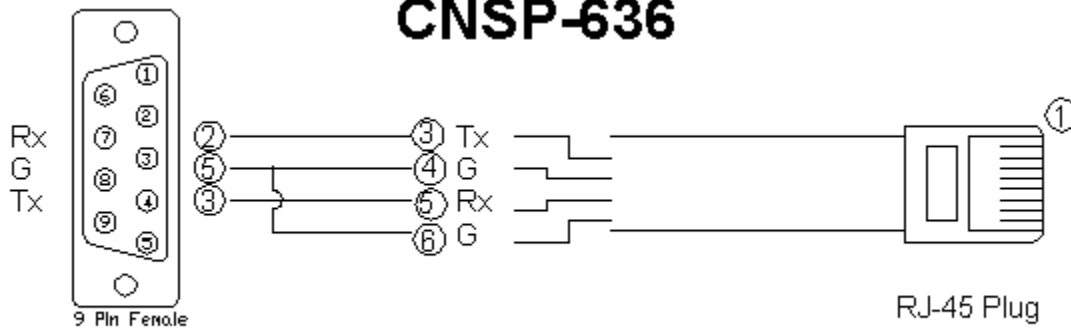
GENERAL INFORMATION

SIMPLWINDOWS NAME:	Rotel RSP-1098
CATEGORY:	Processor
VERSION:	1.0
SUMMARY:	Controls all standard functions and provides true feedback
GENERAL NOTES:	<p>This module will control all of the standard functions on a Rotel RSP-1098 Surround Sound Processor. True feedback for most functions is provided by the processor. Functions provided include main zone control, as well as zone and record area source selection. True feedback emulating the display on the front of the Rotel unit is provided. This displays almost all settings of the unit. Separate discrete feedback is provided for the Main/Zone source selection, the record zone source selection, and the main and zone area volume levels.</p> <p>Note that for source selection and volume control, the same set of inputs is used for both the main area and the zone area. Typically, the main area will be active and any selection made will occur in the main area. To make a selection in the zone area, you must first press the Zone_2/Main input, to put the Rotel system into Zone mode. Then, any selections made will affect the Zone area. You can tell which area is currently active using the Main_Active_Fb and Zone_Active_Fb outputs.</p>
CRESTRON HARDWARE REQUIRED:	CNCOMH-2, CNXCOM, ST-COM, C2-COM
SETUP OF CRESTRON HARDWARE:	Baud Rate - 19200 Parity - None Data Bits - 8 Stop Bits - 1
VENDOR FIRMWARE:	None
VENDOR SETUP:	None
CABLE DIAGRAM:	CNSP-636

Partner: Rotel
Model: RSP-1098
Device Type: Processor



Rear View of Connector



CONTROL:

	D	Activates/Deactivates Standby mode
Display_On/Off	D	Turns the front display on/off
Main/Zone_*	D	Used to select the source for the main area or zone, depending on which is currently active
Record_*	D	Used to select the source for the record zone
Zone_2/Main	D	Pulse to put the unit into "Zone" mode for source selection and volume control
Record	D	Pulse to put the unit into record mode for source selection
Volume_Up/Down/Mute	D	Adjust the main or zone volume level up/down
Treble_Up/Down	D	Adjust the treble level up/down
BASS_Up/Down	D	Adjust the bass level up/down
Surround_Modes	D	Pulse to select any of the available surround modes
Surround+	D	Pulse to step to the next available surround mode
Center/Sub/Rear	D	Pulse to select which channel to adjust
OSD_*	D	Pulse to use the on screen menus
From_Device\$	S	Serial signal to be routed from a 2-way RS232 port

Partner: Rotel
Model: RSP-1098
Device Type: Processor


FEEDBACK:

Main_Active	D	Indicates that the main area is active for source selection and volume adjustments
Zone_Active	D	Indicates that the zone area is active for source selection and volume adjustments
Main/Zone_*_Fb	D	True feedback indicating the source currently selected for the main or zone area...whichever is active
Record_*_Fb	D	True feedback indicating the source currently selected for the record area
Main_Volume_Level	A	Indicates the volume level of the main area
Zone_Volume_Level	A	Indicates the volume level of the zone area
Text\$	S	Serial string containing the text displayed on the front of the Rotel unit
*_FB	D	Directly emulates all of the LED feedback indicators on the front display of the Rotel unit
To_Device\$	S	Serial signal to be routed to a 2-way RS232 port.

TESTING:

OPS USED FOR TESTING:	CNMSX – 5.14.02x Pro2 - 3.044
SIMPLWINDOWS USED FOR TESTING	2.04.14
SAMPLE PROGRAM:	Rotel RSP-1098 Demo
REVISION HISTORY:	None