

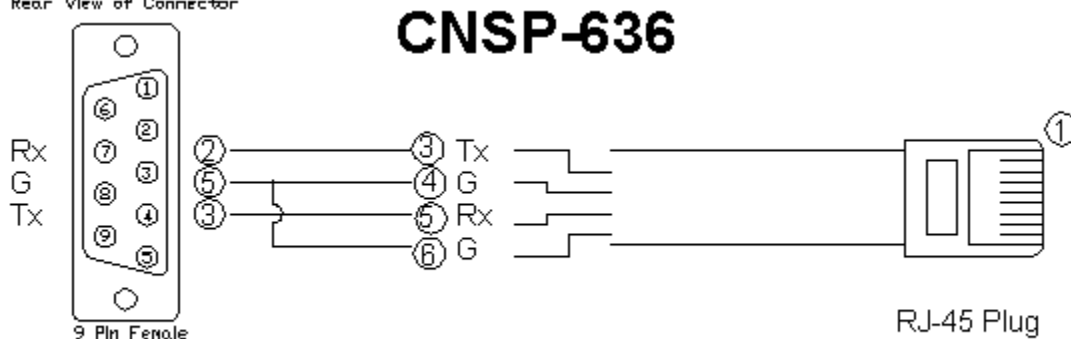
Partner: Rotel
Model: RSP-1068
Device Type: Surround Processor



GENERAL INFORMATION

SIMPLWINDOWS NAME:	Rotel RSP-1068
CATEGORY:	Receiver/Processor
VERSION:	1.0
SUMMARY:	This module controls the RSP-1068. It provides true feedback.
GENERAL NOTES:	<p>This module will control all of the standard functions on a Rotel RSP-1068 Surround Sound Processor. True feedback for some functions, is provided by the receiver. Functions provided include discrete power and volume control for the main and 2nd zone. Also, discrete input selection for main, 2nd zone and record. True feedback emulating the front panel display on the RSP-1068 is also provided.</p> <p>Note: Some surround modes are not valid for some inputs.</p> <p>Note: On the unit tested at Crestron, the 2nd zone volume mute does work, but there is no feedback on the RSP-1068 front panel or in the Crestron. Rotel may fix this in a future release of firmware.</p>
CRESTRON HARDWARE REQUIRED:	CNX-COM, C2-COM, ST-COM
SETUP OF CRESTRON HARDWARE:	RS232, Baud: 19200, Parity: N, Data Bits: 8, Stop Bits: 1
VENDOR FIRMWARE:	None
VENDOR SETUP:	None
CABLE DIAGRAM:	

Rear View of Connector



Partner: Rotel
Model: RSP-1068
Device Type: Surround Processor


CONTROL:

Main_Power_On/Off/Toggle	D	Pulse to turn the main power on and off.
Zone_2_Power_On/Off/Toggle	D	Pulse to turn the 2 nd zone power on and off.
Main_Input_*	D	Pulse to select the main zone input.
Zone_2_Input_*	D	Pulse to select the 2 nd zone input.
Record_Input_*	D	Pulse to select the record zone input.
Main_Volume_Up/Down	D	Press and hold to adjust the volume.
Main_Volume_Mute_On/Off/Toggle	D	Pulse to turn the main volume mute on and off.
Zone_2_Volume_Up/Down	D	Press and hold to adjust the 2 nd zone volume up and down.
Zone_2_Volume_Mute_On/Off/Toggle	D	Pulse to turn the 2 nd zone volume mute on and off.
High_Frequency_Up/Down	D	Press and hold to adjust the high frequency (Treble).
Low_Frequency_Up/Down	D	Press and hold to adjust the low frequency (Bass).
Surround_*	D	Pulse to select the surround mode.
OSD_*	D	Pulse to use the on screen menus.
*_Adjust	D	Pulse to select the speaker to adjust. To adjust the level, pulse this and then use the OSD_Up/Down.
Filter_EQ	D	Pulse to turn the filter EQ on and off.
Select_Digital_Input	D	Pulse to select the digital input.
Front_Panel_Light_On/Off	D	Pulse to turn the front panel display on and off. This will also turn off the front panel information in the Crestron system.
From_Device\$	S	Serial signal to be routed from a 2 way serial com port.

Partner: Rotel
Model: RSP-1068
Device Type: Surround Processor

**FEEDBACK:**

Main_Power_On/Off_Fb	D	High to indicate the current main power state.
Zone_2_Power_On/Off_Fb	D	High to indicate the current 2 nd zone power state.
Main_Input*_Fb	D	High to indicate the current main zone input selected.
Zone_2_Input*_Fb	D	High to indicate the current 2 nd zone input selected.
Record_Input*_Fb	D	High to indicate the current record zone input selected.
Main_Volume_Level	A	Analog main volume level to be displayed on a bar graph.
Zone_2_Volume_Level	A	Analog 2 nd zone volume level to be displayed on a bar graph.
Text_Line_*\$	S	Serial text for two lines. This is the same text that is displayed on the front panel of the RSP-1068.
Front_Panel*_Fb	D	High to indicate which lights on the front panel display are lit.
To_Device\$	S	Serial signal to be routed to a 2 way serial com port.

Partner: Rotel
Model: RSP-1068
Device Type: Surround Processor

**TESTING:**

OPS USED FOR TESTING:	CNMSX-Pro: 5.14.02-x PRO2: 3.088
COMPILER USED FOR TESTING:	Simpl Windows: 2.05.20 VT Pro-e: 3.2.1.4
SAMPLE PROGRAM:	CNMSX-Pro: Rotel RSP-1068 Demo CNMSX PRO2: Rotel RSP-1068 Demo PRO2
REVISION HISTORY:	V. 1.0 – Original Release