

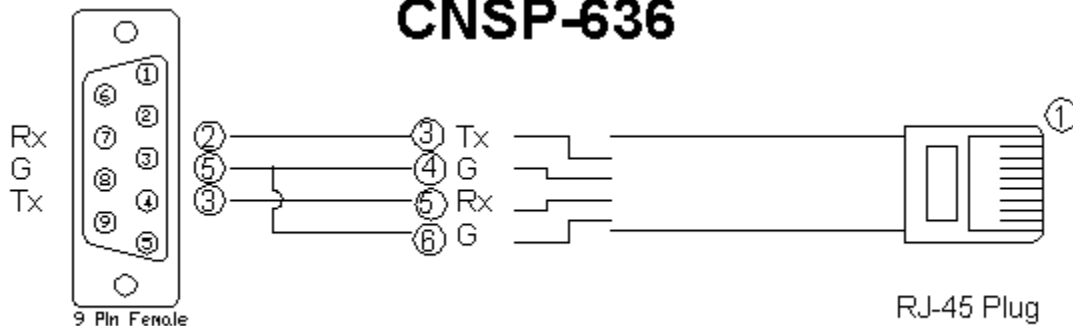
Partner: Rotel
 Model: RT-1084
 Device Type: Tuner



GENERAL INFORMATION

SIMPLWINDOWS NAME:	Rotel RT-1084
CATEGORY:	AM/FM HD Satellite Radio Tuner
VERSION:	1
SUMMARY:	Controls all standard functions and provides true feedback
GENERAL NOTES:	This module will control all of the standard functions on a Rotel RT-1084 AM/FM HD Radio Tuner. True feedback is also provided.
CRESTRON HARDWARE REQUIRED:	C2I-COM, ST-COM, CNX-COM6, CNX-COM2, C2-COM2/3
SETUP OF CRESTRON HARDWARE:	RS232 Baud: 38,400 Parity: N Data Bits: 8 Stop Bits: 1
VENDOR FIRMWARE:	None
VENDOR SETUP:	None
CABLE DIAGRAM:	CNSP-636

Rear View of Connector



Partner: Rotel
Model: RT-1084
Device Type: Tuner


CONTROL:

*_Power_On/Off/Toggle	D	Pulse to turn one of the tuners or the entire unit off.
Main/HD_Radio_FM_Mono	D	Pulse to select the FM Mono mode.
Main/HD_Radio_Preset_Scan	D	Pulse to scan through the presets.
Main/HD_Radio_Auto_Tune	D	Pulse to activate the auto tune function.
*_Frequency_Direct	D	Pulse to select a frequency directly by using numeric keys.
Main/HD_Radio_Tuner_Preset	D	Pulse to select either presets or frequencies for selection
*_Tune_+/-	D	Press to adjust the tuning.
Main/HD_Radio_Band	D	Pulse to adjust the radio band.
Main/HD_Radio_FM/AM	D	Pulse to switch the radio band.
Main_DAB	D	Pulse to use the Direct Analog mode.
Key	D	Pulse to use a numeric key to select a preset or direct tune.
*_Memory	D	Pulse to save current tuning to a preset.
*_Preset_+/-	D	Press to advance/decrease presets.
Main/Sirius_1/2/3_SIRIUS_ID	D	Pulse to check SIRIUS radio ID of the currently selected Sirius radio.
Main_HD_Radio/SIRIUS_1/2/3	D	Pulse to switch between tuners.
Main_Sirius_HD	D	Pulse to cycle through the tuners.
Main/HD_Radio_Digital/Analog	D	Pulse to switch between digital and analog.
Main/Sirius_1/2/3_Cat+/-	D	Press to advance/decrease categories in Sirius mode.
Main/HD_Radio_AF/ TP/ TA/ PTY	D	Pulse to display status of AF/ TP/ TA/ PTY.
*_Display	D	Pulse to change the text display mode.
*_Setup	D	Pulse to activate setup command.

Partner: Rotel
Model: RT-1084
Device Type: Tuner



*_VFD(FL)_Toggle	D	Pulse to activate VFD(FL) Toggle command.
*_Dimmer	D	Pulse to change dimmer on LCD front panel of unit.
Main/HD_Radio_Tuning_Select	D	Pulse to select the tune adjust mode.
Main/HD_Radio_Preset_Select	D	Pulse to select the preset adjust mode.
*_Frequency_+/-	D	Pulse to change frequencies.
*_Left/Right	D	Pulse to move left/right.
*_Enter	D	Pulse to enter a selection displayed.
Main/Sirius_1/2/3_Preset_List	D	Pulse to show and hide preset list.
Main/Sirius_1/2/3_Ch_List	D	Pulse to show and hide channel list.
Main/Sirius_1/2/3_Cat_List	D	Pulse to show and hide category list.
From_Device\$	S	Serial signal to be routed from a 2-way serial com port.

Partner: Rotel
Model: RT-1084
Device Type: Tuner


FEEDBACK:

ANT_Fb	D	High to indicate the status of the antenna LED on the front panel.
ANTBAR*_Fb	D	High to indicate the status of the antenna bar LEDs on the front panel.
RDS/DAB/PRESET/AUTO/MEMORY_Fb	D	High to indicate the status of the LEDs on the front panel.
PTY/AF/STEREO/TUNED/SIRIUS_Fb	D	High to indicate the status of the LEDs on the front panel.
HDRADIO/FM/AM_Fb	D	High to indicate the status of the LEDs on the front panel.
COL_Fb	D	High to indicate the status of the colon LEDs in the frequency display on the front panel.
DP/MHz/kHz_Fb	D	High to indicate the status of the LEDs on the front panel.
POWER_LED_Fb	D	High to indicate the status of the power LED on the front panel.
DISPMODE1_Fb	D	High to indicate that display mode is FL off.
TEXTMODE2_Fb	D	High to indicate the current display text is 2 line 22 characters per line.
TEXTMODE1_Fb	D	High to indicate the current display text is 1 line Special Large 13 characters. Low to indicate the current display text is 1 line Normal Large 13 characters.
Line*\$	S	Serial signal indicating the text displayed on the two lines.
Frequency_Text\$	S	Serial signal indicating the frequency text displayed in the upper right corner of the front display.
To_Device\$	S	Serial signal to be routed to a 2-way serial com port.

Partner: Rotel
Model: RT-1084
Device Type: Tuner

**TESTING:**

OPS USED FOR TESTING:	3.155.1240
SIMPL WINDOWS USED FOR TESTING:	2.08.38
CRES DB USED FOR TESTING:	18.7.8
SYMBOL LIBRARY USED FOR TESTING:	472
SAMPLE PROGRAM:	Rotel RT-1084 Demo
REVISION HISTORY:	V. 1.0 – Original release.