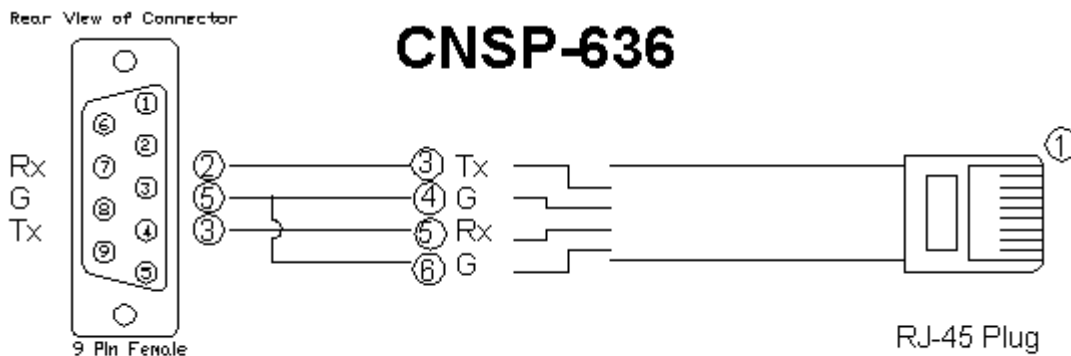


Partner: Rotel
 Model: RSX-1562
 Device Type: Receiver



GENERAL INFORMATION

SIMPLWINDOWS NAME:	Rotel RSX-1562 v1.0
CATEGORY:	Receiver/Processor
VERSION:	1.0
SUMMARY:	This module provides serial control and feedback for the Rotel RSX-1562 receiver.
GENERAL NOTES:	<p>This module controls the Rotel RSX-1562 receiver via serial connection. It also provides true feedback.</p> <p>NOTE: There is feedback for the iPod/USB metadata, however, that will only be sent from the Rotel if the iPod/USB input is the currently selected input for the main zone.</p> <p>NOTE: If the front panel display is turned off, the only feedback the Rotel will send is the 12 volt trigger and iPod/USB metadata.</p>
CRESTRON HARDWARE REQUIRED:	2-Series Processor, 3-Series Processor
SETUP OF CRESTRON HARDWARE:	<p>RS-232</p> <p>Baud: 115200</p> <p>Parity: None</p> <p>Data Bits: 8</p> <p>Top Bits: 1</p>
VENDOR FIRMWARE:	v1.0
VENDOR SETUP:	N/A
CABLE DIAGRAM:	CNSP-636



Partner: Rotel
Model: RSX-1562
Device Type: Receiver


CONTROL:

Main_Zone_Power_<On/Off/Toggle>	D	Pulse to turn the main zone power on and off.
Main_Zone_Input_*	D	Pulse to select the desired main zone input.
Main_Zone_Volume_<Up/Down>	D	Press and hold to adjust the main zone volume.
Main_Zone_Volume_Mute_<On/Off/Toggle>	D	Pulse to turn the main zone volume mute on and off.
Main_Zone_Tune_<Up/Down>	D	If pulsed while the Main_Zone_Tuning_Mode_Is_Tuning is high, this will adjust the tuner frequency. If pulse while the Main_Zone_Tuning_Is_Preset is high, this will step through the tuner presets.
Main_Zone_Preset_<Up/Down>	D	Pulse to step through the tuner presets. Will also set the tuning mode to preset.
Main_Zone_Frequency_<Up/Down>	D	Press and hold to adjust the tuner frequency. Will also set the tuning mode to tuning.
Main_Zone_Memory	D	Pulse to allow the current tuner band and frequency to be stored in a preset. To complete the process enter the two digits of the desired preset using the Main_Zone_Numeric_Key_<0...9> inputs. You MUST enter two digits even for presets 1 to 9. i.e. 01
Main_Zone_<AM/FM/Band_Toggle>	D	Pulse to select the AM or FM band.
Main_Zone_Tuning_Mode	D	Pulse to put the tuner into tuning mode. This allows the Tune Up/Down and Numeric Keys to adjust the frequency.
Main_Zone_Preset_Mode	D	Pulse to put the tuner into preset mode. This allows the Tune Up/Down and Numeric Keys to select the tuner preset.
Main_Zone_Tuning/Preset_Mode_Toggle	D	Pulse to put the tuner into either tuning mode or preset mode.
Main_Zone_Frequency_Direct	D	Pulse to allow the numeric key input to enter the frequency.
Main_Zone_Preset_Scan	D	Pulse to start scanning through the tuner presets.
Main_Zone_Tuner_Display	D	Pulse to cycle through the main zone's tuner display modes.
Main_Zone_RDS_<PTY/TP/TA>	D	Pulse to activate the different RDS settings.
Main_Zone_FM_Mono	D	Pulse to toggle the FM Mono on and off.
Main_Zone_Numeric_Key_<0...9>	D	Pulse to enter the tuner preset number or tuner frequency.
Zone_<2/3/4>_Power_<On/Off/Toggle>	D	Pulse to turn the power on and off for zone 2, zone3 or zone 4.

Partner: Rotel
Model: RSX-1562
Device Type: Receiver



Zone_<2/3/4>_Input_*	D	Pulse to select the desired input for zone 2, zone 3 or zone 4.
Zone_<2/3/4>_Volume_<Up/Down>	D	Press and hold to adjust the volume for zone2, zone 3 or zone 4.
Zone_<2/3/4>_Volume_Mute_<On/Off/Toggle>	D	Pulse to turn the volume mute on and off for zone 2, zone 3 or zone 4.
Zone_<2/3/4>_Tune_<Up/Down>	D	If pulsed while the Zone_<2/3/4>_Tuning_Mode_Is_Tuning is high, this will adjust the tuner frequency. If pulse while the Zone<2/3/4>_Tuning_Is_Preset is high, this will step through the tuner presets.
Zone_<2/3/4>_Preset_<Up/Down>	D	Pulse to step through the tuner presets. Will also set the tuning mode to preset.
Zone_<2/3/4>_Frequency_<Up/Down>	D	Press and hold to adjust the tuner frequency. Will also set the tuning mode to tuning.
Zone_<2/3/4>_<AM/FM/Band_Toggle>	D	Pulse to select the AM or FM band.
Zone_<2/3/4>_Tuning_Mode	D	Pulse to put the tuner into tuning mode. This allows the Tune Up/Down and Numeric Keys to adjust the frequency.
Zone_<2/3/4>_Preset_Mode	D	Pulse to put the tuner into preset mode. This allows the Tune Up/Down and Numeric Keys to select the tuner preset.
Zone_<2/3/4>_Tuning/Preset_Mode_Toggle	D	Pulse to put the tuner into either tuning mode or preset mode.
Zone_<2/3/4>_Preset_Scan	D	Pulse to start scanning through the tuner presets.
Zone_<2/3/4>_FM_Mono	D	Pulse to toggle the FM Mono on and off.
Zone_<2/3/4>_Numeric_Key_<0...9>	D	Pulse to enter the tuner preset number or tuner frequency.
Zone_<2/3/4>_Party_Mode_Toggle	D	Pulse to turn the party mode on and off for zone 2, zone 3 or zone 4.
Record_Zone_Input_*	D	Pulse to select the desired record zone input.
Main_Zone_12V_Trigger_<1..6>_<On/Off/Toggle>	D	Pulse to turn the 12 volt triggers on and off for the main zone.
Zone_<2/3/4>_12V_Trigger_<1..6>_<On/Off/Toggle>	D	Pulse to turn the 12 volt triggers on and off for zone 2, zone 3, or zone 4.
Surround_Mode_*	D	Pulse to select the desired surround mode.
OSD_<Menu/Enter/Exit>	D	Pulse turn the on-screen menu on and off and select the highlighted item.
OSD_Cursor_<Up/Down/Left/Right>	D	Press and hold to move through the on-screen menus.
iPod/USB_<Play/Pause/Stop/Shuffle/Repeat>	D	Pulse to control the connected iPod/USB device.

Partner: Rotel
Model: RSX-1562
Device Type: Receiver



iPod/USB_<Track/Scan>_<Forward/Back>	D	Press and hold to control the connected iPod/USB device.
All_Zones_Off	D	Pulse to turn all zones off.
Record_Function_Setting	D	Pulse to activate the record function setting.
Dynamic_Range	D	Pulse to activate the dynamic range function.
Digital_Input_Select	D	Pulse to activate the digital input function.
Zone_2/Main	D	Pulse to toggle the zone 2 power on and off.
Temporary_<Center/Subwoofer/Surround>_Trim	D	Pulse to enable/disable setting the temporary trim levels for the Center, Subwoofer and Surround speaker.
Cinema_EQ_Toggle	D	Pulse to turn the cinema EQ on and off.
Front_Display_<On/Off/Toggle>	D	Pulse to turn the front display on and off. NOTE: If the front panel display is turned off, the only feedback the Rotel will send is the 12 volt trigger and iPod/USB metadata.
Display_Refresh	D	Pulse to request the front display text. THIS SHOULD NOT BE USED AS A REGULAR POLLING INPUT. THE ROTEL AUTOMATICALLY SENDS US THE FRONT DISPLAY TEXT.
Party_Mode_Toggle	D	Pulse to turn the party mode on and off.
Output_Resolution	D	Pulse to cycle through the output resolutions.
HDMI_<Amp/TV>_Mode	D	Pulse to set the HDMI audio mode to amp or TV.
Temporary_Room_EQ	D	Pulse to turn the room EQ adjustment screens on and off.
Speaker_Level_Setting_Toggle	D	Pulse to turn the speaker level setting screens on and off.
Force_Factory_Default	D	Pulse to force the Rotel to return to the factory defaults. DO NOT PUT A BUTTON FOR THIS FUNCTION ON A TOUCH PANEL.
From_Device	S	Serial signal to be routed from a 2-way serial com port.

FEEDBACK:

Main_Zone_Power_Is_<On/Off>	D	High to indicate the current main zone power state.
Main_Zone_Input_Is_*	D	High to indicate the currently selected main zone input.
Main_Zone_Volume_Level_Gauge	A	Analog signal indicating the current main zone volume level. To be displayed using a gauge on a touch panel.

Partner: Rotel
Model: RSX-1562
Device Type: Receiver



Main_Zone_Volume_Mute_Is_<On/Off>	D	High to indicate the current main zone volume mute state.
Main_Zone_Tuner_Band_Is_<On/Off>	D	High to indicate the currently selected tuner band.
Main_Zone_Tuning_Mode_Is_<Tuning/Preset>	D	High to indicate the current tuning mode.
Zone_<2/3/4> Power_Is_<On/Off>	D	High to indicate the current power state for zone 2, zone 3 and zone 4.
Zone_<2/3/4> Input_Is_*	D	High to indicate the currently selected input for zone2, zone 3 and zone 4.
Zone_<2/3/4> Volume_Level_Gauge	A	Analog signal indicating the current volume level for zone 2, zone 3 and zone 4. To be displayed using a gauge on a touch panel.
Zone_<2/3/4> Volume_Mute_Is_<On/Off>	D	High to indicate the current volume mute state for zone 2, zone 3 and zone 4.
Zone_<2/3/4> Tuner_Band_Is_<On/Off>	D	High to indicate the currently selected tuner band.
Zone_<2/3/4> Tuning_Mode_Is_<Tuning/Preset>	D	High to indicate the current tuning mode.
Record_Zone_Input_Is_*	D	High to indicate the currently selected record zone input.
Main_Zone_12V_Trigger_<1..6>_Is_<On/Off>	D	High to indicate the current state of the 12 volt triggers for the main zone.
Zone_<2/3/4>_12V_Trigger_<1..6>_Is_<On/Off>	D	High to indicate the current state of the 12 volt triggers for zone 2, zone 3 and zone 4.
iPod/USB_Is_*	D	High to indicate the current iPod/USB device playback state.
iPod/USB_Line_<1...10>_Text	S	Serial signal indicating the current metadata from the iPod/USB device. NOTE: There is feedback for the iPod/USB metadata, however, that will only be sent from the Rotel if the iPod/USB input is the currently selected input for the main zone.
All_Zones_Power_Is_Off	D	High to indicate that all zones are powered off.
Front_Display_Is_<On/Off>	D	High to indicate whether the front display is on or off. NOTE: If the front panel display is turned off, the only feedback the Rotel will send is the 12 volt trigger and iPod/USB metadata.
Front_Display_Line_<1/2>_Text	S	Serial signals indicating the current front display text. NOTE: If the front panel display is turned off, the only feedback the Rotel will send is the 12 volt trigger and iPod/USB metadata.
LED_*_Is_On	D	Digital signals indicating the current state of the LED front panel indicators. NOTE: If the front panel display is turned off, the only feedback the Rotel will send is the 12 volt trigger and iPod/USB metadata.
To_Device	S	Serial signal to be routed to a 2-way serial com port.

Partner: Rotel
Model: RSX-1562
Device Type: Receiver

**TESTING:**

OPS USED FOR TESTING:	2-Series: v4.007.0004 3-Series: v1.005.0007
SIMPL WINDOWS USED FOR TESTING:	v3.11.15
DEVICE DB USED FOR TESTING:	v45.00.019.00
CRES DB USED FOR TESTING:	v33.05.005.01
SYMBOL LIBRARY USED FOR TESTING:	V828
SAMPLE PROGRAM:	Rotel RSX-1562 v1.0 Demo
REVISION HISTORY:	v1.0 – Original release.