

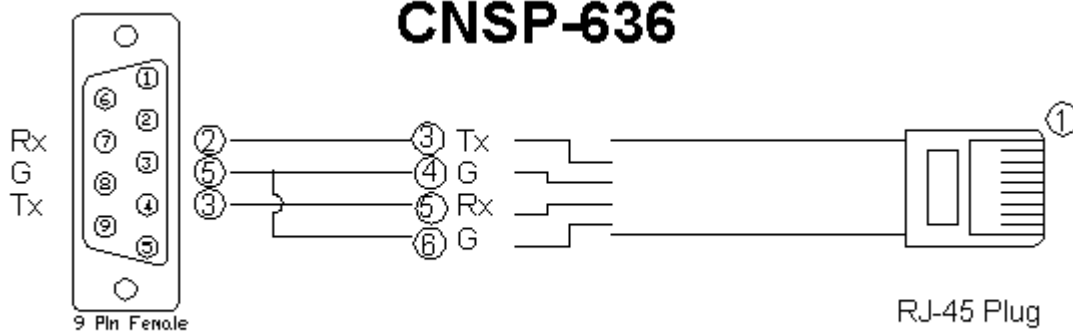
Partner: Rotel
Model: RSP-1069
Device Type: Surround Processor



GENERAL INFORMATION

SIMPLWINDOWS NAME:	Rotel RSP-1069
CATEGORY:	Receiver/Processor
VERSION:	1.0
SUMMARY:	This module controls the RSP-1069. It provides true feedback.
GENERAL NOTES:	<p>This module will control all of the standard functions on a Rotel RSP-1069 Surround Sound Processor. The 1069 processor provides true feedback, for most functions. Functions provided include discrete power, source selection, Record Source selection and volume control for the main the zone. Also, this module provides the same functionality for the remote zones as does the Main without true feedback for zone power. True feedback emulating the front panel display on the RSP-1069 is also provided.</p> <p>Note: Some surround modes are not valid for some inputs.</p>
CRESTRON HARDWARE REQUIRED:	CNX-COM, C2-COM, ST-COM
SETUP OF CRESTRON HARDWARE:	RS232, Baud: 38400, Parity: N, Data Bits: 8, Stop Bits: 1
VENDOR FIRMWARE:	v1.1.6
VENDOR SETUP:	None
CABLE DIAGRAM:	CNSP-636

Rear View of Connector



Partner: Rotel
Model: RSP-1069
Device Type: Surround Processor


CONTROL:

Main_Power_On/Off/Toggle	D	Pulse to turn the main power on and off.
Zone_<2,3,4>_Power_On/Off/Toggle	D	Pulse to turn the 2 nd zone power on and off.
Main_Input_*	D	Pulse to select the main zone input.
Zone_<2,3,4>_Input_*	D	Pulse to select the 2 nd zone input.
Record_Input_*	D	Pulse to select the Main record source.
Main_Volume_Up/Down	D	Press and hold to adjust the volume.
Main_Volume_Mute_On/Off/Toggle	D	Pulse to turn the main volume mute on and off.
Zone_<2,3,4>_Volume_Up/Down	D	Press and hold to adjust the 2 nd zone volume up and down.
Zone_<2,3,4>_Volume_Mute_On/Off/Toggle	D	Pulse to turn the 2 nd zone volume mute on and off.
High_Frequency_Up/Down	D	Press and hold to adjust the high frequency contour.
Low_Frequency_Up/Down	D	Press and hold to adjust the low frequency contour.
Surround_*	D	Pulse to select the surround sound mode.
OSD_<Up, Down, Left, Right, Menu, Enter>	D	Pulse to use the on screen menus.
<Center, Sub, Rear>_Adjust	D	Pulse to select the speaker to adjust. To adjust the level, pulse this and then use the OSD_Up/Down.
Filter_EQ	D	Pulse to turn the filter EQ on and off.
Select_Digital_Input	D	Pulse to select the digital input.
Front_Panel_Light_On/Off	D	Pulse to turn the front panel display on and off. This will also turn off the front panel information in the Crestron system.

Partner: Rotel
Model: RSP-1069
Device Type: Surround Processor



HDMI_<Amp, TV>	D	Pulse to use the on screen menus.
HDMI_Bypass_<On, Off>	D	Pulse to select the speaker to adjust. To adjust the level, pulse this and then use the OSD_Up/Down.
Display_Refresh	D	Pulse to update display with current data.
Power_Off_All_Zones	D	Pulse to power down all zones including main.
From_Device\$	S	Serial signal to be routed from a 2 way serial com port.

FEEDBACK:

Main_Power_On/Off_Fb	D	High to indicate the current main power state.
Zone_<2,3,4>_Power_On/Off_Fb	D	High to indicate selected zone's power state.
Main_Input*_Fb	D	High to indicate the current main zone input selected.
Zone_<2,3,4>_Input*_Fb	D	High to indicate selected zone's current input.
Record_Input*_Fb	D	High to indicate main zone's current record input.
Main_Volume_Level	A	Analog main volume level to be displayed on a bar graph.
Zone_<2,3,4>_Volume_Level	A	Analog zone selected volume level to be displayed on a bar graph.
Text_Line_<1,2>\$	S	Serial text for two lines. This is the same text that is displayed on the front panel of the RSP-1068.
Front_Panel*_Fb	D	High to indicate which lights on the front panel display are lit.
To_Device\$	S	Serial signal to be routed to a 2 way serial com port.

Partner: Rotel
Model: RSP-1069
Device Type: Surround Processor

**TESTING:**

OPS USED FOR TESTING:	PRO2: 3.155.1204
COMPILER USED FOR TESTING:	Simpl Windows: 2.08.44 VT Pro-e: 3.2.1.4
SAMPLE PROGRAM:	PRO2: Rotel RSP-1069 Demo PRO2
REVISION HISTORY:	v1.0 – Original Release