

Partner: Rotel
Model: RDV-1092
Device Type: DVD Audio/Video Player



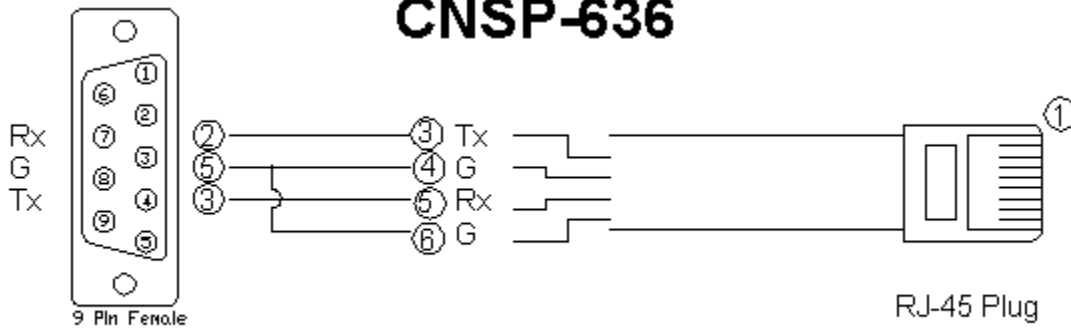
GENERAL INFORMATION

SIMPLWINDOWS NAME:	Rotel RDV-1092
CATEGORY:	DVD Audio/Video Player
VERSION:	1
SUMMARY:	Controls All Standard Functions And Provides True Feedback
GENERAL NOTES:	This module will control all of the standard functions on a Rotel RDV-1092 DVD audio/video player. True feedback for most functions is provided by the processor in Auto Status mode (the default). Functions provided include main control over transports and extended menu functions. True feedback emulating the display on the front of the Rotel unit is provided. This displays almost all settings of the unit. Factory defaults include the auto feedback mechanism.
CRESTRON HARDWARE REQUIRED:	C2I-COM, ST-COM, CNX-COM6, CNX-COM2, C2-COM2/3
SETUP OF CRESTRON HARDWARE:	RS232 Baud: 19,200 Parity: N Data Bits: 8 Stop Bits: 1
VENDOR FIRMWARE:	None
VENDOR SETUP:	None
CABLE DIAGRAM:	CNSP-636

Partner: Rotel
Model: RDV-1092
Device Type: DVD Audio/Video Player



Rear View of Connector



Partner: Rotel
Model: RDV-1092
Device Type: DVD Audio/Video Player


CONTROL:

To_Device\$	S	The Serial String Sent To The Unit
Power_On/Off/Toggle	D	Activates/Deactivates Standby Mode
Display_On/Off	D	Pulse to turn OSD LCD display on and off
Play	D	Pulse to play/ Note: In future versions you may specify a track in this command
Stop	D	Pulse to stop
Pause	D	Pulse to pause
Track_+	D	Pulse to advance to next track
Track_-	D	Pulse to go back to previous track
Slow_Fwd	D	Pulse for slow fwd
Fast_Fwd	D	Pulse for fast fwd
Step	D	Pulse to step by frame
Slow_Reverse	D	Pulse for slow incremental reverse
Fast_Reverse	D	Pulse for fast incremental reverse
Angle	D	Pulse to change angle
Restore_Factory_Defaults	D	Pulse to restore factory defaults. Factory defaults include auto feedback mechanism.
Jump	D	Pulse to jump to the time indicated on Title and Chapter scrolling adjusters.
Title_Up	D	Pulse for title up – pertains to jump command above.
Title_Down	D	Pulse for title down – pertains to jump command above.
Chapter_Up	D	Pulse for chapter up – pertains to jump command above.
Chapter_Down	D	Pulse for chapter down – pertains to jump command above.

Partner: Rotel
Model: RDV-1092
Device Type: DVD Audio/Video Player



Disc_Menu	D	Pulse for Disc menu
Volume_Up/Dn	D	Pulse to adjust volume. Note: This command affects OSD LCD front panel of unit only and does not actually set the volume.
Mute_On/Off	D	Pulse to adjust mute. Note: This command affects OSD LCD front panel of unit only and does not actually set the volume.
OSD_Menu	D	Pulse for the OSD menu
OSD_Enter	D	Pulse for menu enter
OSD_Right_+	D	Pulse for menu right arrow
OSD_Left_-	D	Pulse for menu left arrow
OSD_Up	D	Pulse for menu up arrow
OSD_Down	D	Pulse for menu down arrow
Key_*	D	Pulse to emulate an IR numeric key
Clear	D	Pulse for clear key
Return	D	Pulse for return
Title_Menu	D	Pulse for main title menu
Repeat_Chapter	D	Pulse to repeat a chapter
Repeat_Title	D	Pulse to repeat a title
Repeat_Disc	D	Pulse to repeat a disc
AB_Repeat	D	Pulse to cycle through setting points A, B and Off for AB repeating section of a disc
Repeat_Off	D	Pulse to set repeat off
Random_On	D	Pulse to set random chapter on
Random_Off	D	Pulse to set random off
Zoom	D	Pulse to change zoom modes. Note: Arrow keys can subsequently help navigate your zoom position.

Partner: Rotel
Model: RDV-1092
Device Type: DVD Audio/Video Player



Page_Up	D	Pulse for Page Up
Page_Down	D	Pulse for Page Down
Set_TV_Mode_Progressive	D	Pulse to set TV mode to Progressive mode
Set_TV_Mode_Interlaced	D	Pulse to set TV mode to Interlaced mode
Eject	D	Pulse to eject the media
Enable_Auto_Status	D	Pulse to enable auto status. This is usually done once at initialization time from front screen of panel.



Certified Module

Partner: Rotel
Model: RDV-1092
Device Type: DVD Audio/Video Player



FEEDBACK:

Partner: Rotel
Model: RDV-1092
Device Type: DVD Audio/Video Player


FEEDBACK:

From_Device\$	S	The Serial Return String From The Unit
Power_On/Off_Fb	D	Feedback indicating power status of unit
Play_Fb	D	Feedback indicating transport status of unit
Stop_Fb	D	Feedback indicating transport status of unit
Pause_Fb	D	Feedback indicating transport status of unit
Angle_Scaled	A	Analog Value Feedback indicating angle status of unit
Title_Scaled	A	Analog Value Feedback indicating title status of unit
Chapter_Scaled	A	Analog Value Feedback indicating chapter status of unit
Volume_Bar	A	Analog Value Feedback indicating volume status of unit's OSD Front panel display only
OSD_Menu_On_Fb	D	Feedback for OSD on condition
Skipping_On_Fb	D	Feedback for skipping condition
Digital_Audio_Output_Encoded_Fb	D	Feedback for Audio Output encoding
OSD_Status_Bar_On_Fb	D	Feedback for Status Bar On condition
OSD_Slider_Bar_On_Fb	D	Feedback for Slider Bar On condition
Drawer_Closed_Fb	D	Feedback for Drawer Closed condition
Disc_Present_Fb	D	Feedback for Disc present condition
Title_Total_time_elapsed_(default)_Fb	D	Feedback for time display mode
Title_Total_time_remaining_Fb	D	Feedback for time display mode
Chapter_Track_time_elapsed_Fb	D	Feedback for time display mode
Chapter_Track_time_remaining_Fb	D	Feedback for time display mode
Disc_DVD_Video_Fb	D	Feedback for DISC DVD Video mode

Partner: Rotel
Model: RDV-1092
Device Type: DVD Audio/Video Player


FEEDBACK:

Disc_DVD_Audio_Fb	D	Feedback for DISC DVD Audio mode
Disc_CDDA_Fb	D	Feedback for DISC CDDA Audio mode
Disc_File_Fb	D	Feedback for DISC File mode
Disc_File_URD_Fb	D	Feedback for DISC URD mode
Disc_Update_Fb	D	Feedback for DISC update mode
Disc_Bad_Fb	D	Feedback for DISC bad mode
Disc_None_Fb	D	Feedback for DISC none mode
Disc_Unknown_Fb	D	Feedback for DISC unknown mode
Disc_VCD_Fb	D	Feedback for DISC VCD mode
Sample_Frequency_*_Fb	D	Feedback for Sample Frequency mode
Forward_*_Fb	D	Feedback for incremental Forward status mode
Reverse_*_Fb	D	Feedback for incremental Reverse status mode
Audio_Format_*_Fb	D	Feedback for Audio Format status mode
Hours	A	Analog value representing actual hours
Minutes	A	Analog value representing actual minutes
Seconds	A	Analog value representing actual seconds
Repeat_*_Fb	D	Feedback for Repeat status mode
Input_Channel_*_Fb	D	Feedback for Input channel status mode
LFE_*_Fb	D	Feedback for Input channel LFE on/off present/absent mode
Aspect_*_Fb	D	Feedback for aspect status mode
Output_Format_NTSC_Fb	D	Feedback for output format NTSC status mode

Partner: Rotel
Model: RDV-1092
Device Type: DVD Audio/Video Player

**FEEDBACK:**

Output_Format_PAL_Fb	D	Feedback for output format PAL status mode
CDDA_Navigator_Queue_Status_Empty_Fb	D	Feedback CDDA Navigator Queue status empty
CDDA_Navigator_Queue_Status_Full_Fb	D	Feedback CDDA Navigator Queue status full
Jump_Title_Scaled	A	Variable used to pick a title to be used with jump command
Jump_Chapter_Scaled	A	Variable used to pick a chapter to be used with jump command

TESTING:

OPS USED FOR TESTING:	V. 3.137.Cuz
SIMPL WINDOWS USED FOR TESTING:	Simpl Windows V. 2.08.14
CRES DB USED FOR TESTING:	V. 18.3.3
SYMBOL LIBRARY USED FOR TESTING:	V. 426
SAMPLE PROGRAM:	Rotel RDV-1092 Demo
REVISION HISTORY:	V. 1.0