

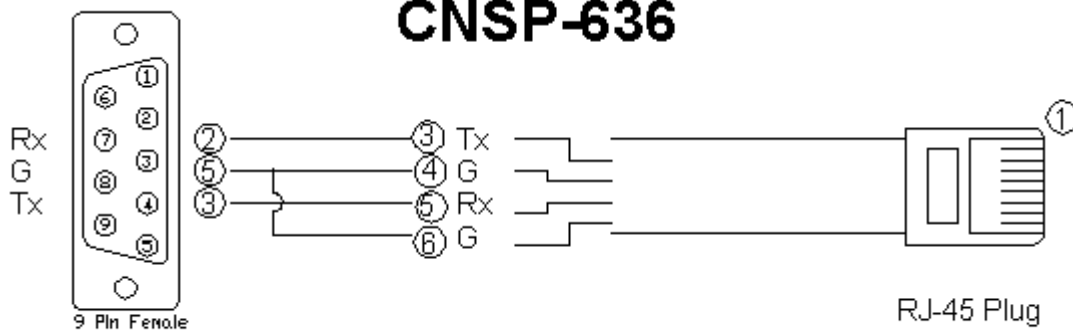
Partner: Rotel  
 Model: RDG-1520  
 Device Type: Tuner



**GENERAL INFORMATION**

<b>SIMPLWINDOWS NAME:</b>	Rotel RDG-1520 v2.0
<b>CATEGORY:</b>	Tuners
<b>VERSION:</b>	2.0
<b>SUMMARY:</b>	This module controls the Rotel RDG-1520 via RS-232.
<b>GENERAL NOTES:</b>	This module controls the Rotel RDG-1520. NOTE: This module requires main software version 1.1.5 or later.
<b>CRESTRON HARDWARE REQUIRED:</b>	C2I-MC3-COM2-RS232, C2I-COM, ST-COM
<b>SETUP OF CRESTRON HARDWARE:</b>	RS232 Baud: 115200 Parity: N Data Bits: 8 Stop Bits: 1
<b>VENDOR FIRMWARE:</b>	V1.1.5 or Later
<b>VENDOR SETUP:</b>	None
<b>CABLE DIAGRAM:</b>	CNSP-636

Rear View of Connector



**Partner: Rotel**  
**Model: RDG-1520**  
**Device Type: Tuner**


**CONTROL:**

Power_<On/Off/Toggle>	D	Pulse to turn the power on and off.
Source_*	D	Pulse to select the desired source.
<Play/Stop/Pause>	D	Pulse to control playback.
Track_<Forward/Back>/Tune_<Up/Down>	D	Pulse to change tracks or tuner frequency.
Fast_<Forward/Back>/Search_<Forward/Backward>	D	Press and hold to scan through the playing track. Pulse to start a frequency search.
Random	D	Pulse to toggle the random function on and off.
Repeat	D	Pulse to cycle through the repeat modes.
Menu	D	Pulse to turn the setup menu on.
<Up/Down/Left/Right>	D	Pulse to move through the menus.
Enter	D	Pulse to select the highlighted menu item.
Enter_Long	D	Pulse to send a long enter command.
Exit	D	Pulse to exit the menu.
Number_Key_<0...9>	D	Pulse to send the numeric keys.
Recall_<iRadio/FM/DAB>_Preset_<1...30>	D	Pulse to go to the desired preset for the iRadio, FM or DAB.
Display_Update_<Auto/Manual/Toggle>	D	Pulse to set the desired Display Update mode. The Rotel's default setting is manual.
Poll_Display_Enable	D	Hold high to enable polling for the display updates. Only applies when Display Update is set to manual.
Initialize	D	Pulse to get the initial status.
From_Device	S	Serial signal to be routed from a 2-way serial com port.

**Partner: Rotel**  
**Model: RDG-1520**  
**Device Type: Tuner**


**FEEDBACK:**

Power_Is_<On/Off>	D	High to indicate the current power state.
Source_Is_*	D	High to indicate the currently selected source.
<Playing/Stopped/Paused>	D	High to indicate the current playback state.
Display_Update_Is_<Auto/Manual>	D	High to indicate the current display updates setting.
Display_Line_<1/2/3/4>_Text	S	Serial signals indicating the four lines of the current front display text.
To_Device	S	Serial signal to be routes from a 2-way serial com port.

**PARAMETERS:**

Poll Display Time	P	Select the desired display poll time. Only applies when the Display Update is set to manual. Possible values are 5 seconds, 15 seconds and 30 seconds. Default value is 15 seconds.
-------------------	---	---

**TESTING:**

OPS USED FOR TESTING:	2-Series: v4.007.0004 3-Series: v1.003.0005
SIMPL WINDOWS USED FOR TESTING:	v3.11.15
DEVICE DB USED FOR TESTING:	v45.00.019.00
CRES DB USED FOR TESTING:	v33.05.005.01
SYMBOL LIBRARY USED FOR TESTING:	v828
SAMPLE PROGRAM:	Rotel RDG-1520 v2.0 Demo
REVISION HISTORY:	v1.0 – For Rotel main software versions before v1.1.5. v2.0 – For Rotel main software versions v1.1.5 and later.