

Partner: Rotel
Model: RCC-1055
Device Type: Audio CD Player



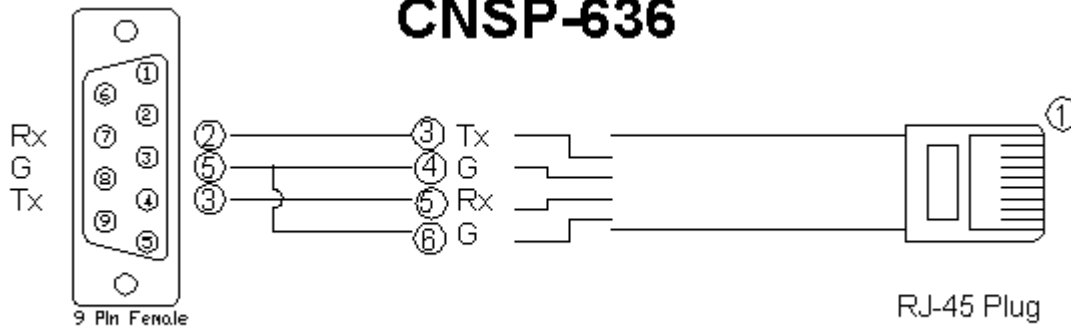
GENERAL INFORMATION

SIMPLWINDOWS NAME:	Rotel RCC-1055 CD Player Demo Pro2 v1_1
CATEGORY:	Transport Deck
VERSION:	1.1
SUMMARY:	This module will control all functions of the Rotel RCC-1055 Audio CD Player with true display feedback.
GENERAL NOTES:	<p>This module will control all functions of the Rotel RCC-1055 Audio CD Player with true feedback. The module provides true "Display" feedback emulating the Rotel's front display. Disc, track and time parameters are displayed via serial text signals that are to be sent to a touch panel's indirect text field.</p> <p>Polling the Rotel for status is not necessary. Feedback is sent unsolicited for current status when the unit powers up, changes modes, changes discs, changes tracks or changes programs.</p> <p>In this revision, Rotel's feedback protocol has changed. Please note new com baud rate of 9600. For more information, contact Rotel via their web site at www.Rotel.com.</p>
CRESTRON HARDWARE REQUIRED:	CNXCOM-2, ST-COM, C2-COM
SETUP OF CRESTRON HARDWARE:	RS232 Baud: 9600 Parity: N Data Bits: 8 Stop Bits: 1
VENDOR FIRMWARE:	None
VENDOR SETUP:	None
CABLE DIAGRAM:	CNSP-636 or Rotel supplied cable

Partner: Rotel
Model: RCC-1055
Device Type: Audio CD Player



Rear View of Connector



CONTROL:

Power_*	D	Pulse to power device on/off
Standby_Toggle	D	Pulse to toggle current standby state on/off
Play	D	Pulse to play current disc indicated in the Disc Display
Stop	D	Pulse to stop current disc indicated in the Disc Display
Pause	D	Pulse to pause current disc indicated in the Disc Display
Search_*	D	Pulse to search Forward/Reverse current disc indicated in the Disc Display
Track_ <<	D	Pulse to select next track on the current disc indicated in the Disc Display
Time	P	Pulse to change the Time/Track/Remain display mode
Disc_Up	P	Pulse to select next disc up
Open/Close	S	Pulse to open /close player's carousel tray
Disc_*	D	Pulse to select disc 1 – 5 directly
Repeat	D	Pulse to cycle through one of three repeat modes (Track, Disc, All)
Random	D	Pulse to select random play mode
Scan	D	Pulse to select intro scan mode (short selection play of each track)
Program	D	Pulse to select program mode for a pre-selected track play

Partner: Rotel
Model: RCC-1055
Device Type: Audio CD Player



Review	D	Pulse to select review mode (review programmed tracks)
Key_*	D	Pulse to select a specific track on the current disc indicated in the Disc Display
Display	D	Pulse to enable/disable Rotel's front display
From_Device\$	S	Serial data signal from a 2-way com port

FEEDBACK:

LED_*	D	Digital signals indicating true activity of the Rotel's front display item by item. SEE demo program
*_Text\$	S	Serial Text indicating the Rotel's Disc, Track, Time and Program status to be sent to a Touch panel's indirect text field
To_Device\$	S	Serial data signal to be sent to a 2-way com port

TESTING:

OPS USED FOR TESTING:	3.155.1240
SIMPL WINDOWS USED FOR TESTING:	2.08.44
CRES DB USED FOR TESTING:	18.9.1
SYMBOL LIBRARY USED FOR TESTING:	508
SAMPLE PROGRAM:	Rotel RCC-1055 CD Player Demo Pro2 v1_1
REVISION HISTORY:	V. 1.1