

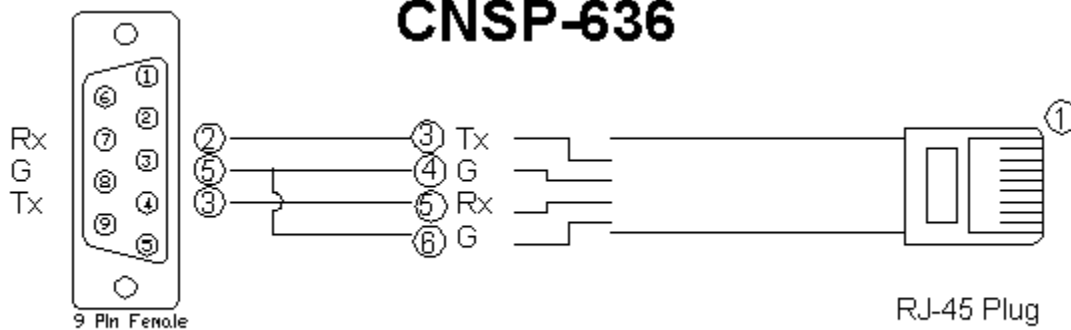
Partner: Rotel
Model: RDV-1060
Device Type: Transport Decks



GENERAL INFORMATION

SIMPLWINDOWS NAME:	Rotel RDV-1060
CATEGORY:	Transport Decks
VERSION:	1.0
SUMMARY:	This module provides full control for the Rotel RDV-1060 DVD player.
GENERAL NOTES:	<p>This module controls the Rotel RDV-1060 DVD/Audio CD player. It provides true feedback for power and transport controls. True feedback for time, chapter, track, title and group is also provided via analog and serial signals. Feedback for forward and reverse search does not apply while in DVD playback.</p> <p>Polling for power status occurs every 10 seconds by default. Polling can be disabled when status updates are not necessary or when the deck is not in use. You could enable polling when the appropriate control page is asserted within the SIMPL WIN program.</p>
CRESTRON HARDWARE REQUIRED:	CNXCOM, CNX-COM2, ST-COM, C2COM-2, C2COM-3, C2I-COM6
SETUP OF CRESTRON HARDWARE:	Baud Rate – 9600 Parity - None Data Bits - 8 Stop Bits - 1 Hardware Flow Control - Off
VENDOR FIRMWARE:	None
VENDOR SETUP:	None
CABLE DIAGRAM:	CNSP-636

Rear View of Connector



Partner: Rotel
Model: RDV-1060
Device Type: Transport Decks

**CONTROL:**

Power_On	D	Pulse to Power up device.
Power_Off	D	Pulse to Power down device.
Power_Toggle	D	Pulse to Power up/down device.
Stop	D	Pulse to stop transport.
Slow	D	Pulse to start transport forward or reverse slow play. Pulse multiple times to change speed.
Pause	D	Pulse to pause transport.
Play	D	Pulse to start transport normal play or select option when navigating menus.
Previous	D	Pulse to skip forward to next chapter.
Next	D	Pulse to skip back to previous chapter.
Search_Reverse	D	Pulse to reverse search. Pulse multiple times to change search speed.
Search_Forward	D	Pulse to forward search. Pulse multiple times to change search speed.
Pscan	D	Pulse to select Progressive Scan.
Eject	D	Pulse to open/close transport tray.
Clear	D	Pulse to erase numerical entry or exit/step back in menu.
Title	D	Pulse to activate submenu for current title.
OSD	D	Pulse to activate on screen displays.
Menu	D	Pulse to display disc menu.
Up	D	Pulse to navigate menu up.
Down	D	Pulse to navigate menu down.
Left	D	Pulse to navigate menu left.



Right	D	Pulse to navigate menu right.
Repeat	D	Pulse once to replay current title, twice to replay current chapter, and three times to cancel repeat function.
Angle	D	Pulse to select multiple camera angles (if available).
Subtitle	D	Pulse to change language within the subtitles.
Zoom	D	Pulse to magnify picture.
Resume	D	Pulse to resume playback.
Key_(0-10+)	D	Pulse to enter a numeric entry.
AB	D	Pulse to set start/stop points for looping playback.
Goto	D	Pulse to select and jump to a selected title/chapter.
Audio	D	Pulse to select desired audio formats available on the CD.
Display	D	Pulse to display DVD or CD status information.
Poll_Enable	D	Assert to enable polling every 10 seconds. (Default = 1)
FROM_DEVICE\$	S	Serial signal to be routed from a 2-way serial com port.

Partner: Rotel
Model: RDV-1060
Device Type: Transport Decks


FEEDBACK:

Power_On_FB	D	True feedback indicating device is on.
Power_Off_FB	D	True Feedback indicating device is off.
Play_FB	D	True feedback indicating transport in play.
Stop_FB	D	True feedback indicating transport is stopped.
Pause_FB	D	True feedback indicating transport is paused.
Search_*_FB	D	True feedback indicating transport is searching.
No_Disc_FB	D	True feedback indicating no disc in "closed" tray.
Time_Display\$	S	Serial string indicating Title/Group, Chapter/Track and time. Format is "[C/T]xx[T/G]xx xx:xx:xx"
Time_Analog	A	Analog signal representing time. (HRS:MINS:SECS)
Chap-Trk_Analog	A	Analog signal representing current chapter or track.
Title-Grp_Analog	A	Analog signal representing current title or group.
TO_DEVICES\$	S	Serial signal to be routed to a 2-way serial com port.

TESTING:

OPS USED FOR TESTING:	CNMSX – 5.12.63x Pro2 - 3.088
SIMPLWINDOWS USED FOR TESTING	2.04.14.05
SAMPLE PROGRAM:	Rotel RDV-1060 Demo Pro2.smw
REVISION HISTORY:	None