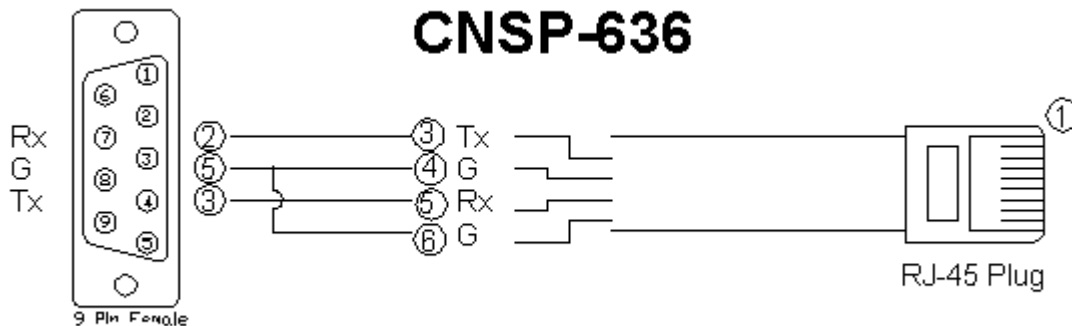


Partner: Rotel
 Model: RSX-1550
 Device Type: Receiver



GENERAL INFORMATION

SIMPLWINDOWS NAME:	Rotel RSX-1550 v1.1
CATEGORY:	Surround Sound Receiver
VERSION:	1.1
SUMMARY:	Controls all standard functions and provides true feedback
GENERAL NOTES:	This module will control all of the standard functions on a Rotel RSX-1550 Surround Sound Processor. True feedback for most functions is provided by the processor. Functions provided include main zone control, as well as zone and record area source selection. True feedback emulating the display on the front of the Rotel unit is provided. This displays almost all settings of the unit. Seperate discrete feedback is provided for the Main/Zone source selection, the record zone source selection, and the main and zone area volume levels.
CRESTRON HARDWARE REQUIRED:	C2I-COM, ST-COM, CNX-COM6, CNX-COM2, C2-COM2/3
SETUP OF CRESTRON HARDWARE:	RS232 Baud: 115,200 Parity: N Data Bits: 8 Stop Bits: 1
VENDOR FIRMWARE:	V1.1.1
VENDOR SETUP:	N/A
CABLE DIAGRAM:	CNSP-636



Partner: Rotel
Model: RSX-1550
Device Type: Receiver


CONTROL:

Main_Power_On	D	Turns the main unit on.
Main_Power_Off	D	Turns the main unit off.
Main_Power_Toggle	D	Turns the main unit on and off.
Main_*	D	Pulse to select the main source.
Tuner_Key_*	D	Pulse to activate tuner functions and number keys.
Tuning_Select	D	Pulse to select the tuning adjustment.
Preset_Select	D	Pulse to select the preset adjustment
Main_Volume_Up	D	Press and hold to turn main volume up.
Main_Volume_Down	D	Press and hold to turn main volume down.
Main_Volume_Mute_On	D	Pulse to turn main mute on.
Main_Volume_Mute_Off	D	Pulse to turn main mute off.
Main_Volume_Mute_Toggle	D	Pulse to turn main mute on and off.
Surround_Mode *	D	Pulse to select the desired surround mode.
Surround+	D	Pulse to advance to the next surround mode.
Center/Sub/Rear	D	Pulse to select which channel to adjust.
PL2_*_Up/Down	D	Press and hold to adjust the PL2 Dimension or Center Width.
DD_EX_On/Off	D	Pulse to turn the DD_Ex function on or off.
Contour_HF/LF_Up/Down	D	Press and hold to adjust the High and Low frequency contour.
OSD_*	D	Pulse to use the on-screen menu.
Display_On/Off	D	Pulse to turn the display on and off.
Record_*	D	Pulse to select the record source.

Partner: Rotel
Model: RSX-1550
Device Type: Receiver



Zone_2/3/4_Power_On	D	Turns zone 2, 3 or 4 on.
Zone_2/3/4_Power_Off	D	Turns zone 2, 3 or 4 off.
Zone_2/3/4_Power_Toggle	D	Turns zone 2, 3 or 4 on and off.
Zone_2/3/4_*	D	Pulse to select the zone 2, 3 or 4 source.
Zone_2/3/4_Volume_Up	D	Press and hold to turn zone 2, 3 or 4 volume up.
Zone_2/3/4_Volume_Down	D	Press and hold to turn zone 2, 3 or 4 volume down.
Zone_2/3/4_Volume_Mute_On	D	Pulse to turn zone 2, 3 or 4 mute on.
Zone_2/3/4_Volume_Mute_Off	D	Pulse to turn zone 2, 3 or 4 mute off.
Zone_2/3/4_Volume_Mute_Toggle	D	Pulse to turn zone 2, 3 or 4 mute on and off.
All_Zones_Off	D	Pulse to power off ALL Zones.
HDMI_Mode_Amp	D	Pulse to select HDMI mode amp.
HDMI_Mode_TV	D	Pulse to select HDMI mode tv.
Refresh	D	Pulse to refresh the unit's display.
From_Device	S	Serial signal to be routed from a 2-way serial com port.

FEEDBACK:

Main_Power_Is_On/Off	D	High to indicate unit's current main power status.
Main_Is_*	D	High to indicate the currently selected source for the main output.
Display_Line_Text	S	Serial strings containing the text displayed on the front of the Rotel unit.
Main_Volume_Gauge	A	Analog output indicating the main volume level.
Record_Is_*	D	High to indicate the currently selected source for the record input.
Zone_2/3/4_Power_Is_On/Off	D	High to indicate zone 2, 3 or 4's power state.
Zone_2/3/4_Is_*	D	High to indicate the currently selected source for the zone 2, 3 or 4 input.

Partner: Rotel
Model: RSX-1550
Device Type: Receiver



Zone_2/3/4_Volume_Gauge	A	Analog outputs indicating the zone 2, 3 or 4's volume level.
Zone_*_Volume_Gauge	A	Analog output indicating the zone volume level.
Display_Is_*	D	Directly emulates all of the LED feedback indicators on the front display of the Rotel unit.
To_Device	S	Serial signal to be routed to a 2-way RS232 port or TCP/IP Client.

TESTING:

OPS USED FOR TESTING:	PRO2 Cntrl Eng {v4.007.0004}
SIMPL WINDOWS USED FOR TESTING:	V. 4.01.16
CRES DB USED FOR TESTING:	V. 40.01.001.00
DEVICE DB USED FOR TESTING:	V. 50.06.002.00
SYMBOL LIBRARY USED FOR TESTING:	V.865
SAMPLE PROGRAM:	Rotel RSX-1058 v1.1 Demo PRO2.smw
REVISION HISTORY:	V. 1.0 – Original release V. 1.1 – Resolved checksum calculation issue for outgoing commands.