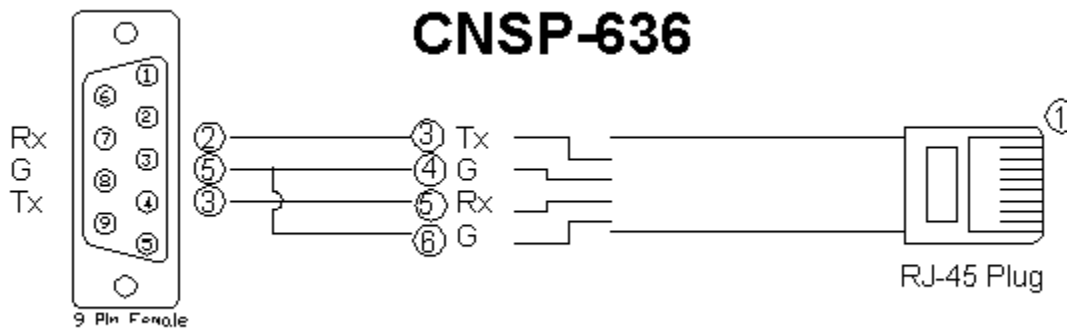


**Partner: Rotel**  
**Model: RSP-1570**  
**Device Type: Receiver**



## GENERAL INFORMATION

<b>SIMPLWINDOWS NAME:</b>	Rotel RSP-1570 v1.1
<b>CATEGORY:</b>	Surround Sound Receiver
<b>VERSION:</b>	1.1
<b>SUMMARY:</b>	Controls all standard functions and provides true feedback
<b>GENERAL NOTES:</b>	This module will control all of the standard functions on a Rotel RSP-1570 Surround Sound Processor. True feedback for most functions is provided by the processor. Functions provided include main zone control, as well as record and zone area source selection. True feedback emulating the display on the front of the Rotel unit is provided. This will display most settings of the unit. Separate discrete feedback is provided for the Main/Zone source selection, the record zone source selection, and the main and zone area volume levels. Module is 2 or 3-series only.
<b>CRESTRON HARDWARE REQUIRED:</b>	C2I-COM, ST-COM, C2-COM2/3
<b>SETUP OF CRESTRON HARDWARE:</b>	RS232 Baud: 115,200 Parity: N Data Bits: 8 Stop Bits: 1
<b>VENDOR FIRMWARE:</b>	V1.1.1
<b>VENDOR SETUP:</b>	N/A
<b>CABLE DIAGRAM:</b>	CNSP-636



**Partner: Rotel**  
**Model: RSP-1570**  
**Device Type: Receiver**


**CONTROL:**

Main_Power_On	D	Turns the main unit on.
Main_Power_Off	D	Turns the main unit off.
Main_Power_Toggle	D	Turns the main unit on and off.
Main_*	D	Pulse to select the main source.
Tuner_Key_*	D	Pulse to activate tuner functions and number keys
Main_Volume_Up	D	Press and hold to turn main volume up.
Main_Volume_Down	D	Press and hold to turn main volume down.
Main_Volume_Mute_On	D	Pulse to turn main mute on.
Main_Volume_Mute_Off	D	Pulse to turn main mute off.
Main_Volume_Mute_Toggle	D	Pulse to turn main mute on and off.
Surround_Mode *	D	Pulse to select the desired surround mode.
Surround+	D	Pulse to advance to the next surround mode.
Center/Sub/Rear	D	Pulse to select which channel to adjust.
PL2_*_Up/Down	D	Press and hold to adjust the PL2 Dimension or Center Width.
DD_EX_On/Off	D	Pulse to turn the DD_Ex function on or off.
Contour_HF/LF_Up/Down	D	Press and hold to adjust the High and Low frequency contour.
OSD_*	D	Pulse to use the on-screen menu.
Display_On/Off	D	Pulse to turn the display on and off.
Record_*	D	Pulse to select the record source.
Zone_2/3/4_Power_On	D	Turns zone 2, 3 or 4 on.
Zone_2/3/4_Power_Off	D	Turns zone 2, 3 or 4 off.
Zone_2/3/4_Power_Toggle	D	Turns zone 2, 3 or 4 on and off.

**Partner: Rotel**  
**Model: RSP-1570**  
**Device Type: Receiver**



Zone_2/3/4_*	D	Pulse to select the zone 2, 3 or 4 source.
Zone_2/3/4_Volume_Up	D	Press and hold to turn zone 2, 3 or 4 volume up.
Zone_2/3/4_Volume_Down	D	Press and hold to turn zone 2, 3 or 4 volume down.
Zone_2/3/4_Volume_Mute_On	D	Pulse to turn zone 2, 3 or 4 mute on.
Zone_2/3/4_Volume_Mute_Off	D	Pulse to turn zone 2, 3 or 4 mute off.
Zone_2/3/4_Volume_Mute_Toggle	D	Pulse to turn zone 2, 3 or 4 mute on and off.
All_Zones_Off	D	Pulse to power off ALL Zones
Refresh	D	Pulse to refresh the feedback.
From_Device	S	Serial signal to be routed from a 2-way serial com port.

### FEEDBACK:

Main_Power_Is_On/Off	D	High to indicate the current power status of main.
Main_Is_*	D	High to indicate the currently selected source for the main output.
Display_Text_1/2	S	Serial strings containing the text displayed on the front of the Rotel unit.
Main_Volume_Gauge	A	Analog output indicating the main volume level.
Record_Is_*	D	High to indicate the currently selected source for the record output.
Zone_2/3/4_Power_Is_On/Off	D	High to indicate zone 2, 3 or 4's power state.
Zone_2/3/4_Is_*	D	High to indicate the currently selected source for the zone 2, 3 or 4 output.
Zone_2/3/4_Volume_Gauge	A	Analog outputs indicating the zone 2, 3 or 4's volume level.
Display_Is_*	D	Directly emulates all of the LED feedback indicators on the front display of the Rotel unit.
To_Device	S	Serial signal to be routed to a 2-way serial com port.

**Partner: Rotel**  
**Model: RSP-1570**  
**Device Type: Receiver**

**TESTING:**

<b>OPS USED FOR TESTING:</b>	2-Series: v4.008.0008 3-Series: v1.009.0029
<b>SIMPL WINDOWS USED FOR TESTING:</b>	v4.02.38
<b>DEVICE DB USED FOR TESTING:</b>	v56.00.004.00
<b>CRES DB USED FOR TESTING:</b>	v45.00.002.00
<b>SYMBOL LIBRARY USED FOR TESTING:</b>	v892
<b>SAMPLE PROGRAM:</b>	2 Series: Rotel RSP-1570 v1.1 Demo PRO2.smw 3 Series: Rotel RSP-1570 v1.1 Demo PRO3.smw
<b>REVISION HISTORY:</b>	V. 1.0 – Original Release V. 1.1 – Resolved checksum calculation issue for outgoing commands.