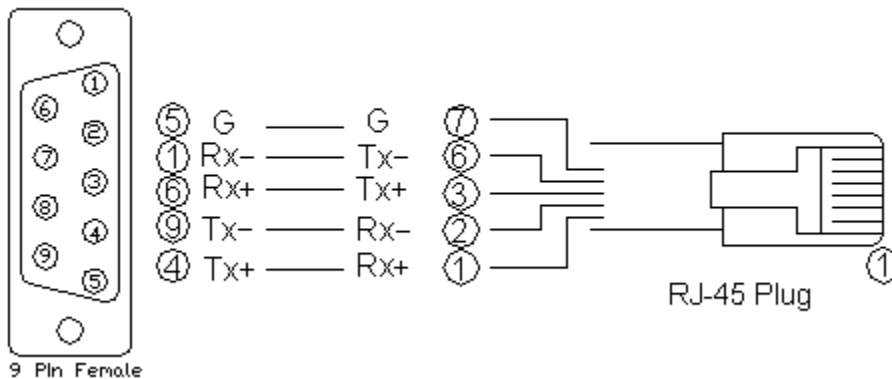


Partner: Renaissance Lighting
Model: All RGB Products
Device Type: Lighting


GENERAL INFORMATION

SIMPLWINDOWS NAME:	Renaissance Lighting All RGB Products v1.0
SYSTEMBUILDER COMPATIBLE:	Yes
CATEGORY:	Lighting
VERSION:	1.0
SUMMARY:	This module will control all Renaissance Lighting RGB Products.
GENERAL NOTES:	This module controls all Renaissance Lighting RGB products. It allows the user to store and recall 12 presets. To store a preset set the lights to the desired color and level, pulse Preset_Store then pulse a preset number. This module is for 2-Series processors only.
CRESTRON HARDWARE REQUIRED:	C21-COM, C2COM-2/3, ST-COM
SETUP OF CRESTRON HARDWARE:	RS485 Baud: 9600 Parity: N Data Bits: 8 Stop Bits: 1
VENDOR FIRMWARE:	Unknown
VENDOR SETUP:	None
CABLE DIAGRAM:	CNSP-412

Rear View of Connector



Partner: Renaissance Lighting
Model: All RGB Products
Device Type: Lighting


CONTROL:

Lights_Off	D	Pulse to turn the lights off.
Preset_*	D	Pulse to store or recall a preset.
Preset_Recall	D	Pulse to allow the Preset_* inputs to recall presets.
Preset_Store	D	Pulse to allow the Preset_* input to store presets. This will reset after 5 seconds.
Magenta_Gradient_*	D	Pulse to select one of the six gradients of magenta or white. Gradient 1 is the darkest shade and Gradient 7 is white.
Red_Gradient_*	D	Pulse to select one of the six gradients of red or white. Gradient 1 is the darkest shade and Gradient 7 is white.
Orange_Gradient_*	D	Pulse to select one of the six gradients of orange or white. Gradient 1 is the darkest shade and Gradient 7 is white.
Yellow_Gradient_*	D	Pulse to select one of the six gradients of yellow or white. Gradient 1 is the darkest shade and Gradient 7 is white.
Green_Gradient_*	D	Pulse to select one of the six gradients of green or white. Gradient 1 is the darkest shade and Gradient 7 is white.
Cyan_Gradient_*	D	Pulse to select one of the six gradients of cyan or white. Gradient 1 is the darkest shade and Gradient 7 is white.
Blue_Gradient_*	D	Pulse to select one of the six gradients of blue or white. Gradient 1 is the darkest shade and Gradient 7 is white.
Violet_Gradient_*	D	Pulse to select one of the six gradients of violet or white. Gradient 1 is the darkest shade and Gradient 7 is white.
CCT_*_Kelvin	D	Pulse to select one of the settings that correspond to the listed Kelvin temperature scale.
Intensity	A	Analog input for the setting of the lights intensity. This is 0 to 65535. It can come from a slider or an Analog Initialize.

Partner: Renaissance Lighting
Model: All RGB Products
Device Type: Lighting

**FEEDBACK:**

Preset_Recall_is_Enabled	D	High to indicate that the Preset_* inputs will recall the presets.
Preset_Store_is_Enabled	D	High to indicate that the Preset_* input will store the presets.
Intensity_Gauge	A	Analog signal indicating the intensity level sent to the lights. To be displayed using a digital gauge on a touch panel. Range 0d to 100d.
Intensity_Slider	A	Analog signal indicating the intensity level sent to the lights. To be displayed using an Analog bar graph or Analog Slider on a touch panel.
To_Device	S	Serial signal to be routed to an RS-485 com port.

TESTING:

OPS USED FOR TESTING:	4.000.0226
SIMPL WINDOWS USED FOR TESTING:	2.10.25
CRES DB USED FOR TESTING:	19.02.005
SYMBOL LIBRARY USED FOR TESTING:	541
SAMPLE PROGRAM:	Renaissance Lighting All RGB Products v1.0 Demo
REVISION HISTORY:	V. 1.0