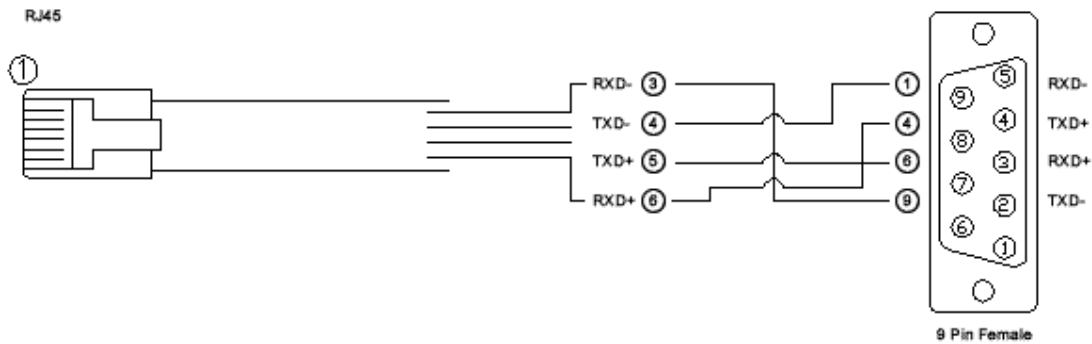


Partner: Panasonic
 Model: AW-HE100
 Device Type: Camera



GENERAL INFORMATION

SIMPLWINDOWS NAME:	Panasonic AW-HE100 v1.0
CATEGORY:	Camera
VERSION:	1.0
SUMMARY:	Allows three speed selections (SLOW, MEDIUM, and FAST) for control of basic pan/tilt/focus/zoom functions. Also provides for 30 presets, the maximum specified in latest protocol manual provided to Crestron. By default, iris control is automatic. However, if desired, the module allows the option of manual iris control.
GENERAL NOTES:	This module is System Builder compatible.
CRESTRON HARDWARE REQUIRED:	ST-COM, C2I-COM6, c2COM-2/3
SETUP OF CRESTRON HARDWARE:	RS422 Baud: 9600 Parity: None Data Bits: 8 Stop Bits: 1
VENDOR FIRMWARE:	N/A
VENDOR SETUP:	N/A
CABLE DIAGRAM:	Custom



Partner: Panasonic
Model: AW-HE100
Device Type: Camera


CONTROL:

Power_On	D	Pulse to turn the power on
Power_Off	D	Pulse to turn the power off
Power	D	Pulse to change the state of the power
Speed_Slow	D	Pulse to change the pan/tilt speed to slow
Speed_Medium	D	Pulse to change the pan/tilt speed to medium
Speed_Fast	D	Pulse to change the pan/tilt speed to fast
Zoom_In	D	Press and hold to zoom in. Release to stop
Zoom_Out	D	Press and hold to zoom out. Release to stop
Focus_Far	D	Press and hold to focus far. Release to stop
Focus_Near	D	Press and hold to focus near. Release to stop
Pan_Left	D	Press and hold to pan left. Release to stop
Pan_Right	D	Press and hold to pan right. Release to stop
Tilt_Up	D	Press and hold to tilt up. Release to stop
Tilt_Down	D	Press and hold to tilt down. Release to stop
Iris_Manual	D	Pulse to set iris mode to manual
Iris_Auto	D	Pulse to set iris mode to auto
Iris_Open	D	Press and hold to iris open. Release to stop
Iris_Close	D	Press and hold to iris close. Release to stop
Store_Preset	D	Pulse to put module into save preset mode
Preset_*	D	Pulse to recall/save preset
From_Device	S	Serial input to receive data from device

Partner: Panasonic
Model: AW-HE100
Device Type: Camera

**FEEDBACK:**

Power_Is_On	D	High to indicate that the unit is on
Power_Is_Off	D	High to indicate that the unit is off
Speed_Is_Slow	D	High to indicate that the pan/tilt speed is slow
Speed_Is_Medium	D	High to indicate that the pan/tilt speed is medium
Speed_Is_Fast	D	High to indicate that the pan/tilt speed is fast
Iris_Is_Manual	D	High to indicate that the iris is set to manual
Iris_Is_Auto	D	High to indicate that the iris is set to auto
Store_Preset_Is_Selected	D	High to indicate that the module is in save preset mode
Preset_*_Is_Selected	D	High to indicate an active preset
To_Device	S	Serial output to transmit commands to the device

TESTING:

OPS USED FOR TESTING:	4.001.1012 (Feb 17 2009)
SIMPL WINDOWS USED FOR TESTING:	2.11.27.00
CRESTRON DB USED FOR TESTING:	21.02.018.00
DEVICE DB USED FOR TESTING:	26.05.004.00
SAMPLE PROGRAM:	Panasonic AW-HE100 v1.0 Demo PRO2.smw
REVISION HISTORY:	V. 1.0