

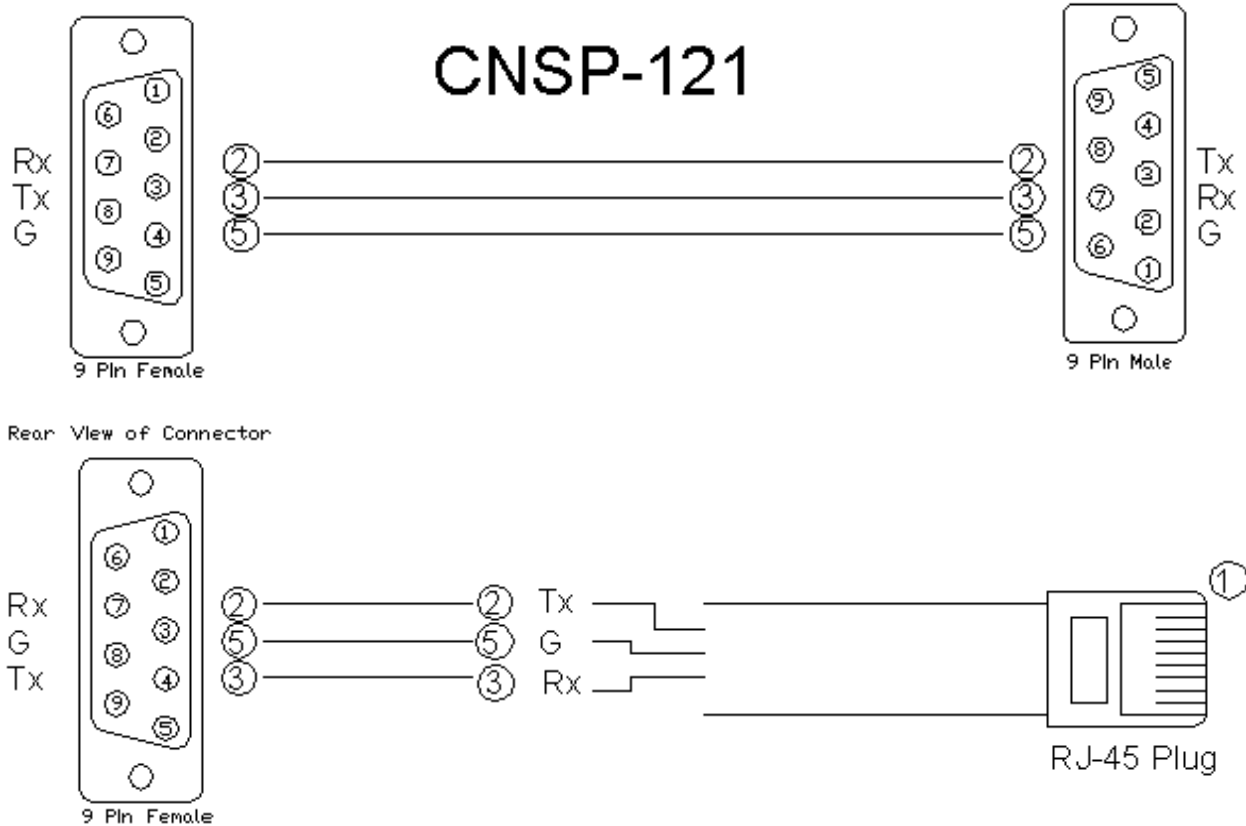
Partner: NuVision
Model: NVU40FX5LS
Device Type: TV/Video Projector



GENERAL INFORMATION

SIMPLWINDOWS NAME:	NuVision NVU40FX5LS v1.0
CATEGORY:	TV/Video Projector
VERSION:	1.0
SUMMARY:	This module controls the NuVision NVU40FX5LS.
GENERAL NOTES:	<p>This module was tested with the NuVision NVU40FX5LS. This module should also work on the following models:</p> <p>NVU19L NVU32FX5 NVU37FX5 NVU40FX10LS NVU46FX5 NVU46FX10LS NVU55FX5 NVU55FX10LS NVU65FX5</p> <p>NOTE: The NVU19L has a DB9 for serial control. All other models have an RJ45 for serial control.</p> <p>NOTE: Not all functions are available on all models.</p>
CRESTRON HARDWARE REQUIRED:	CNXCOM-6, CNXCOM-2, ST-COM, C2I-COM6, C2COM-2/3
SETUP OF CRESTRON HARDWARE:	RS232 Baud: 9600 Parity: None Data Bits: 8 Stop Bits: 1
VENDOR FIRMWARE:	Version: N/A
VENDOR SETUP:	None
CABLE DIAGRAM:	NVU19L: CNSP-121 All Others: Custom

Partner: NuVision
Model: NVU40FX5LS
Device Type: TV/Video Projector



CONTROL:		
Power_<On/Off/Toggle>	D	Pulse to turn the LCD on and off.
Input_*	D	Pulse to select the desired input. NOTE: NOT ALL INPUTS ARE AVAILABLE ON ALL MODELS.
Aspect_Ratio_*	D	Pulse to select the desired aspect ratio.
Volume_<Up/Down>	D	Press and hold to adjust the volume level.
Volume_Mute_<On/Off/Toggle>	D	Pulse to turn the volume mute on and off.
Contrast/Brightness_<Up/Down>	D	Press and hold to adjust the contrast or brightness.
Saturation/Tint_<Up/Down>	D	Press and hold to adjust the saturation or tint.
Color_Warmth_*	D	Pulse to select the desired color warmth.
Auto_Color_Control_<On/Off/Toggle>	D	Pulse to turn the auto color control on and off.

Partner: NuVision
Model: NVU40FX5LS
Device Type: TV/Video Projector



Backlight_Mode_*(FX10_Only)	D	Pulse to select the desired backlight setting. FX10 MODELS ONLY.
(3D)_Mode_*(FX10_Only)	D	Pulse to select the desired 3D mode. FX10 MODELS ONLY.
Channel_<Up/Down>	D	Pulse to adjust the channel.
Previous_Channel	D	Pulse to go to previous channel.
Key_*	D	Pulse to send the number pad key presses. These are just like pushing the buttons on the IR remote.
PIP_On/Off	D	Pulse to turn the PIP window on and off.
PBP_Toggle	D	Pulse to turn the Picture By Picture on and off. ONLY AVAILABLE WHEN PIP IS OFF.
PIP_<Left/Right>_<Top/Bottom>	D	Pulse to move the PIP window to the desired position.
PIP_<Large/Small>	D	Pulse to select the desired size for the PIP window.
PIP_Swap	D	Pulse to swap the selected inputs between the main and PIP windows.
PIP_Input	D	Pulse to turn the PIP input on-screen menu on and off.
Picture_By_Picture_<4x3/16x9>_(FX5_Only)	D	Pulse to select the picture-by-picture setting. FX5 ONLY.
IR_Key_*	D	Pulse to send the key presses. These are just like pushing the buttons on the IR remote.
MTS_Cycle	D	Pulse to cycle through the available MTS settings.
Overscan_<On/Off>	D	Pulse to turn overscan on and off. HDMI AND YPbPr INPUTS ONLY.
FX5_Mode_<On/Off>_(FX5/10_Only)	D	Pulse to turn FX5 mode on and off. FX5 AND FX10 ONLY.
Frame_Forward_Motion_*(FX5/10_Only)	D	Pulse to select the desired frame forward motion setting. FX5 AND FX10 ONLY.
Game_Mode_<On/Off>_(FX5/10_Only)	D	Pulse to turn the game mode on and off. FX5 AND FX10 ONLY.
Poll_Enable	D	Hold high to enable polling.
From_Device	S	Serial signal to be routed from a 2-way serial com port.

FEEDBACK:

Power_Is_<On/Off>	D	High to indicate the current power state.
-------------------	---	---

Partner: NuVision
Model: NVU40FX5LS
Device Type: TV/Video Projector



Input_Is_*	D	High to indicate the currently selected input.
Volume_Gauge	A	Analog value indicating the current volume level. To be displayed using a bar graph on a touch panel.
Volume_Mute_Is_<On/Off>	D	High to indicate the current volume mute state.
Contrast_Gauge	A	Analog value indicating the current contrast level. To be displayed using a bar graph on a touch panel.
Brightness_Gauge	A	Analog value indicating the current brightness level. To be displayed using a bar graph on a touch panel.
Saturation_Gauge	A	Analog value indicating the current saturation level. To be displayed using a bar graph on a touch panel.
Tint_Gauge	A	Analog value indicating the current tint level. To be displayed using a bar graph on a touch panel.
Color_Warmth_Is_*	D	High to indicate the currently selected color warmth.
Auto_Color_Control_Is_<On/Off>	D	High to indicate the current auto color control state.
Backlight_Mode_Is_*(FX10_Only)	D	High to indicate the currently selected backlight setting. FX10 ONLY.
(3D)_Mode_Is_*(FX10_Only)	D	High to indicate the currently selected 3D mode. FX10 ONLY.
Channel_Analog	A	Analog value indicating the current TV channel. To be displayed using a digital gauge.
To_Device	S	Serial signal to be routed to a 2-way serial com port.

TESTING:

OPS USED FOR TESTING:	4.003.0015
SIMPL WINDOWS USED FOR TESTING:	3.01.24
CRES DB USED FOR TESTING:	25.00.002.00
DEVICE DB USED FOR TESTING:	33.00.005.00
SYMBOL LIBRARY USED FOR TESTING:	717
SAMPLE PROGRAM:	NuVision NVU40FX5LS v1.0 Demo
REVISION HISTORY:	V. 1.0 – original release.