

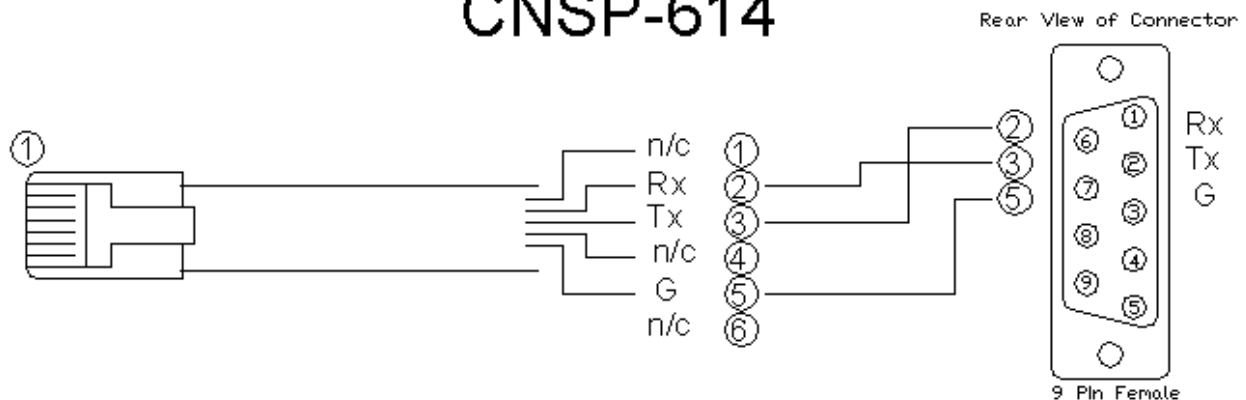
Partner: Mark Levinson
Model: No502
Device Type: Audio/Video System



GENERAL INFORMATION

SIMPLWINDOWS NAME:	Mark Levinson No502 v1.0
CATEGORY:	Receiver/Processor
VERSION:	1.0
SUMMARY:	This module will control the basic functions of the Mark Levinson No502 Media Console.
GENERAL NOTES:	This module will control the Mark Levinson No502 Media Console via RS-232. Please note that the module's Audio Profile function will not work if the No502 is monitoring the Zone 2 (the zone indicator LED on the front of the No502 will be on).
CRESTRON HARDWARE REQUIRED:	CNX-COM, CNX-COM2, C2-COM, C2-COM2, C2-COM3, ST-COM
SETUP OF CRESTRON HARDWARE:	RS232 Baud: 57600 Parity: N Data Bits: 8 Stop Bits: 1
VENDOR FIRMWARE:	V01.00.03
VENDOR SETUP:	Set Control to RS-232 in menu.
CABLE DIAGRAM:	CNSP-614

CNSP-614



Partner: Mark Levinson
Model: No502
Device Type: Audio/Video System


CONTROL:

Power_On/Off/Toggle	D	Pulse to turn the power on or off.
Activity_*	D	Pulse to select the main zone activity.
Zone_2_Activity_*	D	Pulse to select the zone 2 activity.
Video_Profile_*	D	Pulse to select one of the available video profiles.
Audio_Profile_*	D	Pulse to select one of the available audio profiles.
Display_Config_*	D	Pulse to select the display configuration.
Center_Speaker_On/Off/Toggle	D	Pulse to turn the center speaker on or off.
Surround_Speakers_On/Off/Toggle	D	Pulse to turn the surround speakers on and off.
Rear_Speakers_On/Off/Toggle	D	Pulse to turn the rear speakers on or off.
Subwoofer_1_On/Off/Toggle	D	Pulse to turn subwoofer 1 on or off.
Subwoofer_2_On/Off/Toggle	D	Pulse to turn subwoofer 2 on or off.
Display_Intensity_*	D	Pulse to set the display intensity.
Menu_Backlight_On/Off/Toggle	D	Pulse to turn the menu backlight on or off.
Monitor_Output_On/Off/Toggle	D	Pulse to turn the monitor output on or off.
Volume_Up/Down	D	Press to increase or decrease the volume level.
Mute_On/Off/Toggle	D	Pulse to turn the main volume mute on or off.
Zone_2_Volume_Up/Down	D	Press to increase or decrease the zone 2 volume level.
OSD_On/Off/Toggle	D	Pulse to turn the OSD on or off.
Resolution_*	D	Pulse to select the display resolution.
Room_EQ_On/Off/Toggle	D	Pulse to turn on the Room EQ on or off.
Room_EQ_*	D	Pulse to select the Room EQ setting.
Speaker_Config_*	D	Pulse to select the speaker configuration(
Trigger_1_On/Off/Toggle	D	Pulse to turn trigger 1 on or off.

Partner: Mark Levinson
Model: No502
Device Type: Audio/Video System



Trigger_2_On/Off/Toggle	D	Pulse to turn trigger 2 on or off.
Trigger_3_On/Off/Toggle	D	Pulse to turn trigger 3 on or off.
Trigger_4_On/Off/Toggle	D	Pulse to turn trigger 4 on or off.
Zoom_Ratio_*	D	Pulse to select the desired zoom ratio.
Poll_Enable	D	Hold signal high to enable constant polling of the device.
From_Device	S	Serial signal to be routed from a 2-way serial com port.

FEEDBACK:

Power_Is_On/Off	D	Indicates the current power status of the unit.
Activity_Is_*	D	Indicates the current activity selected for the main zone.
Zone_2_Activity_Is_*	D	Indicates the current activity selected for zone 2.
Video_Profile_Is_*	D	Indicates the current video profile selected.
Audio_Profile_Is_*	D	Indicates the current audio profile selected.
Display_Config_Is_*	D	Indicates the current display configuration setting.
Center_Speaker_Is_On/Off	D	Indicates the center speaker on/off status.
Surround_Speakers_Are_On/Off	D	Indicates the surround speakers on/off status.
Rear_Speakers_Are_On/Off	D	Indicates the rear speakers on/off status.
Subwoofer_1_Is_On/Off	D	Indicates the subwoofer 1 on/off status.
Subwoofer_2_Is_On/Off	D	Indicates the subwoofer 2 on/off status.
Display_Intensity_Is_*	D	Indicates the current display intensity setting.
Menu_Backlight_Is_On/Off	D	Indicates the menu backlight on/off status.
Monitor_Output_Is_On/Off	D	Indicates the monitor output on/off status.
Volume_Text	S	Text information indicating the current main volume level (0.0 to 100.0).
Mute_Is_On/Off	D	Indicates the current mute on/off status.

Partner: Mark Levinson
Model: No502
Device Type: Audio/Video System



Zone_2_Volume_Text	S	Text information indicating the current zone 2 volume level (0.0 to 100.0).
OSD_Is_On/Off	D	Indicates the current OSD on/off status.
Resolution_Is_*	D	Indicates the current output resolution setting.
Room_EQ_Is_On/Off	D	Indicates whether the room EQ is on or off.
Room_EQ_Is_*	D	Indicates the current room EQ setting.
Speaker_Config_Is_*	D	Indicates the current speaker configuration setting.
Trigger_1_Is_On/Off	D	Indicates the current trigger 1 on/off status.
Trigger_2_Is_On/Off	D	Indicates the current trigger 2 on/off status.
Trigger_3_Is_On/Off	D	Indicates the current trigger 3 on/off status.
Trigger_4_Is_On/Off	D	Indicates the current trigger 4 on/off status.
Zoom_Ratio_Is_*	D	Indicates the current zoom ratio setting.
Activity_<1-5>_Name_Text	S	These are the names of the user-configurable activities stored in the No502 which will be selected upon pulsing "Activity_<1-5>" or "Zone_2_Activity_<1-5>".
Video_Profile_<1-5>_Name_Text	S	These are the names of the user-configurable video profiles stored in the No502 which will be selected upon pulsing "Video_Profile_<1-5>".
Audio_Profile_<1-5>_Name_Text	S	These are the names of the user-configurable audio profiles stored in the No502 which will be selected upon pulsing "Audio_Profile_<1-5>".
Display_Config_<1-5>_Name_Text	S	These are the names of the user-configurable display configurations stored in the No502 which will be selected upon pulsing "Display_Config_<1-5>".
Speaker_Config_<1-5>_Name_Text	S	These are the names of the user-configurable speaker configurations stored in the No502 which will be selected upon pulsing "Speaker_Config_<1-5>".
To_Device	S	Serial signal to be routed to a 2-way serial com port.

Partner: Mark Levinson
Model: No502
Device Type: Audio/Video System

**PARAMETERS:**

Activity <1-5> Name	P	The names of five user-configurable activities that can be selected on the No502 unit. Please note that the names are case-sensitive and must match the name assigned to the activity in the No502.
Video Profile <1-5> Name	P	The names of five user-configurable video profiles that can be selected on the No502 unit. Please note that the names are case-sensitive and must match the name assigned to the video profile in the No502.
Audio Profile <1-5> Name	P	The names of five user-configurable audio profiles that can be selected on the No502 unit. Please note that the names are case-sensitive and must match the name assigned to the audio profile in the No502.
Display Config <1-5> Name	P	The names of five user-configurable five display configurations that can be selected on the No502 unit. Please note that the names are case-sensitive and must match the name assigned to the display configuration in the No502.
Speaker Config <1-5> Name	P	The names of five user-configurable speaker configurations that can be selected on the No502 unit. Please note that the names are case-sensitive and must match the name assigned to the speaker configuration in the No502.

TESTING:

OPS USED FOR TESTING:	v3.155.1240
SIMPL WINDOWS USED FOR TESTING:	v2.11.10
CRES DB USED FOR TESTING:	v20.03.008.00
DEVICE DATABASE:	v20.05.014.00
SYMBOL LIBRARY USED FOR TESTING:	V584
SAMPLE PROGRAM:	Mark Levinson No502 v1.0.smw
REVISION HISTORY:	v1.0 – Original release.