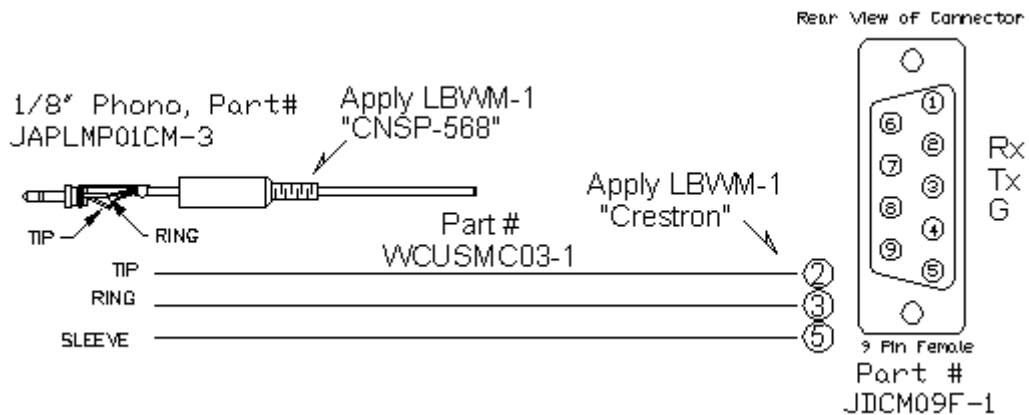


Partner: Marantz
Model: IS301
Device Type: Transport Decks


GENERAL INFORMATION

SIMPLWINDOWS NAME:	Marantz IS301 v1.0
CATEGORY:	Transport Decks
VERSION:	1.0
SUMMARY:	This module controls the docked iPod on the Marantz IS301 only when the handset is attached to the dock.
GENERAL NOTES:	The control and feedback data will only work when the handset is docked. For control and feedback it is necessary to connect the IS301RX and the IS301DS with the two CAT5 cables. It's necessary to reconnect the iPod every time that the Crestron Processor reboots.
CRESTRON HARDWARE REQUIRED:	2-Series Processor, C2COM3, ST-COM
SETUP OF CRESTRON HARDWARE:	RS232 Baud: 9600 Parity: N Data Bits: 8 Stop Bits: 1 Handshaking: None
VENDOR FIRMWARE:	None
VENDOR SETUP:	None
CABLE DIAGRAM:	CNSP-568



Partner: Marantz
Model: IS301
Device Type: Transport Decks


CONTROL:

Random	D	Selects between the three modes of the Random function in cycle: Off, Songs or Albums.
[Random_*]	D	Selects directly the mode Off, Songs or Albums of the Random function.
Repeat	D	Selects between the three modes of the Repeat function in cycle: Off, Track or All.
[Repeat_*]	D	Selects directly the mode Off, Track or All of the Repeat Function.
Menu	D	Shows and browses the Library in the iPod.
Cursor_Up	D	Moves the cursor one line Up in the Library.
Cursor_Down	D	Moves the cursor one line Down in the Library.
Play/Pause	D	Toggles between Play and Pause commands.
Play	D	Discrete Play command.
Pause	D	Discrete Pause command.
Stop	D	Discrete Stop command.
Fast_Forward	D	Discrete Fast Forward command.
Rewind	D	Discrete Rewind command.
Next_Track	D	Discrete Next Track command.
Prev_Track	D	Discrete Previous Track command.
[Next_Album]	D	Discrete Next Album command.
[Prev_Album]	D	Discrete Previous Album command.
[Next_Chapter]	D	Discrete Next Chapter command.
[Prev_Chapter]	D	Discrete Previous Chapter command.
[Next_Playlist]	D	Discrete Next Playlist command.
[Prev_Chapter]	D	Discrete Previous Playlist command.
[iPod_LCD_On]	D	Turns On the iPod's LCD

Partner: Marantz
Model: IS301
Device Type: Transport Decks



[iPod_LCD_Off]	D	Turns Off the iPod's LCD
Poll_Enable	D	The module will polling info from IS301 according the "Layer_Status_Report" Value and if the iPod is Docked.
From_Device	S	Serial Data signal coming from Serial Port.

FEEDBACK:

iPod_Found	D	This signal goes High when the iPod is removed, and the Handset is connected to the dock.
iPod_Found	D	This signal goes High when the iPod is connected to the Handset, and the Handset is connected to the dock.
Communicating_with_iPod	D	This signal goes High every time that the iPod is connected to the dock or the handset (with the iPod) is connected to the dock.
[Random_*_Selected]	D	Discrete Feedback for Random Mode.
Random_Analog	A	Analog value of current Random mode: 1=Off, 2=Songs, 3=Albums For Multimode Objects.
Random_Status_Text	S	String feedback of current Random mode as set by Random or Discrete Random modes.
[Repeat_*_Selected]	D	Discrete Feedback for Repeat Mode
Repeat_Analog	A	Analog value of current Repeat mode: 1=Off, 2=Track, 3=All For Multimode Objects.
Repeat_Status_Text	S	String feedback of current Repeat mode as set by Repeat or Discrete Repeat modes.
Play_Is_Active	D	Indicates that the current track is playing.
Pause_Is_Active	D	Indicates that the current track is paused.
Stop_Is_Active	D	Indicates that the iPod is stopped.
Fast_Forward_Is_Active	D	Indicates that the Fast Forward Command is in use.
Rewind_Is_Active	D	Indicates that the Rewind Command is in use.

Partner: Marantz
Model: IS301
Device Type: Transport Decks



Artist_Text	S	String feedback of current Artist.
Song_Text	S	String feedback of current Song.
Album_Text	S	String feedback of current Album.
Progress_Gauge	A	Current playing Song position percentage.
Elapsed_Time_Text	S	String that indicates the Elapsed Time of the current playing song.
Remaining_Time_Text	S	String that indicates the Remaining Time of the current playing song.
Elapsed_Time	A	Analog value that indicate the Elapsed Time of the current playing song.
Remaining_Time	A	Analog value that indicate the Remaining Time of the current playing song.
Track_Number_Text	S	String that indicates the Number of track that is playing from a total Index
Track_Index_Text	S	String that indicates the Index number.
Index_Text	S	String that indicates in one line the Number of track is playing from a total Index and the total Index
Track_Index_Text	S	String that indicates the Index number.
Track_Number	A	Analog value that indicates the Number of track that is playing from a total Index.
Track_Index	A	Analog Value that indicates the Index number.
To_Device	S	Serial Data to be send to the Serial Port to control the Marantz IS301.

PARAMETER FIELDS:

Layer_Status_Report	D	<p>Enable or Disable the Feedback from the IS301:</p> <p>0 = Off: The IS301 don't send any feedback</p> <p>1 = Layer1: Receiver Power, Receiver Mute, IS301 Transports, Random Mode, Repeat Mode</p> <p>2 = Layer2: Now Playing Data</p> <p>3 = Layer1 & Layer2</p> <p>4: All Feedback</p> <p>The default value is 4 (All)</p>
---------------------	---	--

Partner: Marantz
Model: IS301
Device Type: Transport Decks

**TESTING:**

OPS USED FOR TESTING:	v4.001.1012
SIMPL WINDOWS USED FOR TESTING:	v2.11.18
CRES DB USED FOR TESTING:	v20.05.022.00
DEVICE DATABASE	v21.03.005.00
SYMBOL LIBRARY USED FOR TESTING:	v622
SAMPLE PROGRAM:	Marantz IS301 v1.0 Demo PRO2.smw
REVISION HISTORY:	v1.0 - Initial Release.