

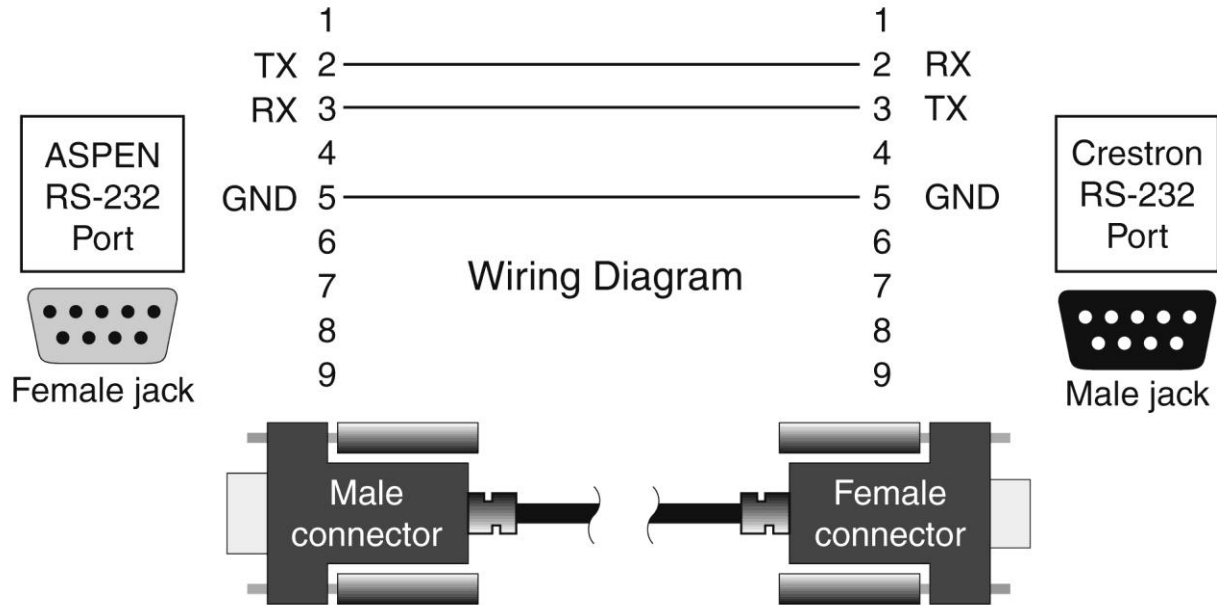
Partner: Lectrosonics, Inc.
Model: ASPEN SPNConference - SPNTrio Dialer
Device Type: Audio Matrix Mixer



GENERAL INFORMATION

SIMPLWINDOWS NAME:	ASPEN SPNConference - SPNTrio Dialer v1.0
CATEGORY:	Mixer
VERSION:	1.0
SUMMARY:	This module controls all Input based serial communication for the ASPEN SPNConference - SPNTrio Dialer
GENERAL NOTES:	<p>This module allows control of teleconferencing.</p> <p>The Dialer module is standalone. By assigning it the same Device ID as an ASPEN SPNConference unit, SPNTrio unit or multiple units, many instances of the module can be used simultaneously. The module includes a standard DTMF keypad, Pause, Clear, Backspace, Dial, Flash, Redial and Connect, Disconnect, Privacy On, Privacy Off for Telephone, Codec 1 and Codec 2 connections and feedback. A Crestron String output indicates keypad activity and connection status.</p> <p>The module is completely event-driven which eliminates the need for polling. Verbose commands control the ASPEN device and elicit feedback simultaneously.</p>
CRESTRON HARDWARE REQUIRED:	ST-COM, C2-COM
SETUP OF CRESTRON HARDWARE:	RS232 Baud: 57600, Parity: N, Data Bits: 8, Stop Bits: 1
VENDOR FIRMWARE:	Version 1.1.5
VENDOR SETUP:	RS232 Baud: 57600, Parity: N, Data Bits: 8, Stop Bits: 1 (DEFAULT Settings)
CABLE DIAGRAM:	ASPEN device to Crestron control system

Partner: Lectrosonics, Inc.
Model: ASPEN SPNConference - SPNTrio Dialer
Device Type: Audio Matrix Mixer



CONTROL:

Connect	D	Pulse will connect Tel (Off Hook). Once a connection is established, the DTMF keypad may be used to dial a number.
Disconnect	D	Pulse will disconnect Tel (On Hook).
Privacy_On	D	Pulse will enable the Tel privacy mode.
Privacy_Off	D	Pulse will disable the Tel privacy mode.
KEYPAD_0-9,*,#,Pause,Clear,Backspace	D	Pulse will send the associated DTMF tone for 0-9, *, # if connected. The digits will also be sent out Dial_String\$. "Pause" will add the standard delay indicated visually by a "comma". "Clear" will clear Dial_String\$. "Backspace" will delete one character to the left of Dial_String\$ with each successive press.
Connect_Codec_1	D	Pulse will connect Codec 1 (Off Hook). Once a connection is established, the DTMF keypad may be used to dial a number.
Disconnect_Codec_1	D	Pulse will disconnect Codec 1(On Hook).
Privacy_On_Codec_1	D	Pulse will enable the Codec 1 privacy mode.
Privacy_Off_Codec_1	D	Pulse will disable the Codec 1 privacy mode.
Connect_Codec_2	D	Pulse will connect Codec 2 (Off Hook). Once a connection is established, the DTMF keypad may be used to dial a number.

Partner: Lectrosonics, Inc.
Model: ASPEN SPNConference - SPNTrio Dialer
Device Type: Audio Matrix Mixer



Disconnect_Codec_2	D	Pulse will disconnect Codec 2(On Hook).
Privacy_On_Codec_1	D	Pulse will enable the Codec 2 privacy mode.
Privacy_Off_Codec_2	D	Pulse will disable the Codec 2 privacy mode.
Dial	D	Pulse will automatically Connect and dial the number contained in Dial_String\$.
Redial	D	Pulse will automatically Connect and redial the number contained in Dial_String\$.
Flash	D	Pulse will flash the line when connected.
From_aspen\$	S	Serial signal to be routed from an RS232 2-way COM port.

FEEDBACK:

Dial_String\$	S	Contains the user created string via the Keypad commands.
Connect_FB	D	Indicates the current Tel connection status.
Privacy_FB	D	Indicates the current Tel privacy status.
Connect_Codec_1_FB	D	Indicates the current Codec 1 connection status.
Privacy_Codec_1_FB	D	Indicates the current Codec 1 privacy status.
Connect_Codec_2_FB	D	Indicates the current Codec 2 connection status.
Privacy_Codec_2_FB	D	Indicates the current Codec 2 privacy status.
To_aspen\$	S	Serial signal to be routed to an RS232 2-way COM port.
Device	S	REQUIRED – Master unit will be Device ID 1. Each successive device in the chain will increment by 1.

TESTING:

OPS USED FOR TESTING:	4.001.1012
SIMPL WINDOWS USED FOR TESTING:	2.12.30
CRES DB USED FOR TESTING:	22.00.012.00
DEVICE DATABASE:	28.05.004.00

Partner: Lectrosonics, Inc.
Model: ASPEN SPNConference - SPNTrio Dialer
Device Type: Audio Matrix Mixer



SYMBOL LIBRARY USED FOR TESTING:	669
SAMPLE PROGRAM:	ASPEN series control v1.0
REVISION HISTORY:	Version 1.0