

**Partner: Key Digital**  
**Model: HD Flash 4**  
**Device Type: Digital Video Switcher**  
**and Processor**



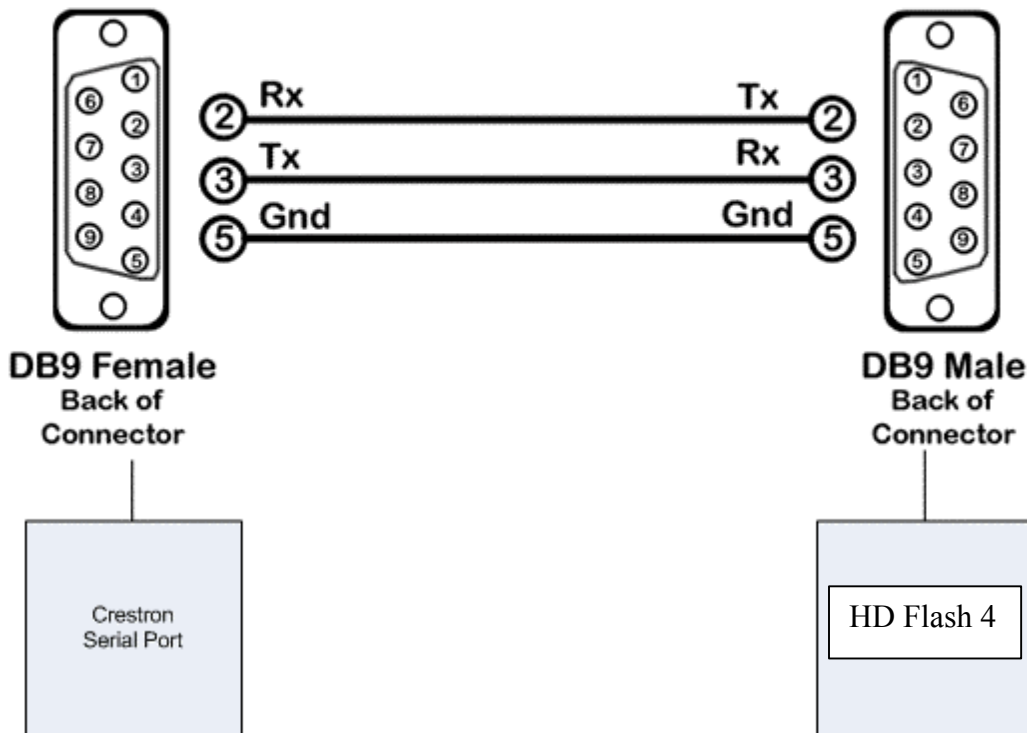
## GENERAL INFORMATION

<b>SIMPLWINDOWS NAME:</b>	HD Flash.umc
<b>CATEGORY:</b>	Switcher
<b>VERSION:</b>	1.0
<b>SUMMARY:</b>	This module contains the RS-232 commands to interface with a Key Digital Flash 4 Switcher.
<b>GENERAL NOTES:</b>	Besides remote control with real-time feedback over RS-232 through a Crestron processor and Touch Panel, you can remotely control HD Flash 4 functions through the rear – panel RS-232C connector, using Crestron’s Toolbox in console mode or by using Hyper Terminal or other compatible interface. Set your RS-232C connection to 4800 baud, 8 data bits, 1 stop bit, and no parity. When creating command strings, make sure to insert sufficient time delays before each command. Test all of your command strings to determine the proper time delay between commands.
<b>CRESTRON HARDWARE REQUIRED:</b>	Series-2 Processor and/or X-generation Processor and C2I-COM, ST-COM
<b>SETUP OF CRESTRON HARDWARE:</b>	RS232 Baud: 4800 Parity: N Data Bits: 8 Stop Bits: 1
<b>VENDOR FIRMWARE:</b>	33
<b>VENDOR SETUP:</b>	Straight through RS-232 (pin to pin) cable required
<b>CABLE DIAGRAM:</b>	

**Partner: Key Digital**  
**Model: HD Flash 4**  
**Device Type: Digital Video Switcher and Processor**



**DB9 Female to DB9 Male  
Standard Straight Through Cable**



**Partner: Key Digital**  
**Model: HD Flash 4**  
**Device Type: Digital Video Switcher**  
**and Processor**


**CONTROL:**

From_Device\$	S	The serial return string from the unit
To_Device\$	S	The serial string sent to the unit
Input_1	D	Switches Video/Audio Input to 1
Input_2	D	Switches Video/Audio Input to 2
Input_3	D	Switches Video/Audio Input to 3
Input_4	D	Switches Video/Audio Input to 4
Poll_Enable	D	Enables polling of the status to the unit for monitoring changes at the unit in real-time (set to every 15 seconds in the module) Put a zero here to inhibit polling if unit is never going to be switched manually in the rack. Poll time defaults to 15 seconds. Serial Pace Time defaults to .26 seconds.

**FEEDBACK:**

Input_1_Fb	D	Real-time feedback for Input 1
Input_2_Fb	D	Real-time feedback for Input 2
Input_3_Fb	D	Real-time feedback for Input 3
Input_4_Fb	D	Real-time feedback for Input 4

**PARAMETERS:**

poll time in seconds	P	Valid range for real-time polling of unit is 1s to 30s Note: To inhibit polling put a zero on driving signal name
----------------------	---	--

**TESTING:**

OPS USED FOR TESTING:	PRO2 Cntrl Eng [v3.137 (Release)]
COMPILER USED FOR TESTING:	SIMPL 2.06.20 Compiler V. 2.00.34

**Partner: Key Digital**  
**Model: HD Flash 4**  
**Device Type: Digital Video Switcher**  
**and Processor**



<b>SAMPLE PROGRAM:</b>	Key Digital HD Flash 4 Demo Pro2.smw Key Digital HD Flash 4 Demo CNMSX-Pro.smw
<b>REVISION HISTORY:</b>	V. 1.0