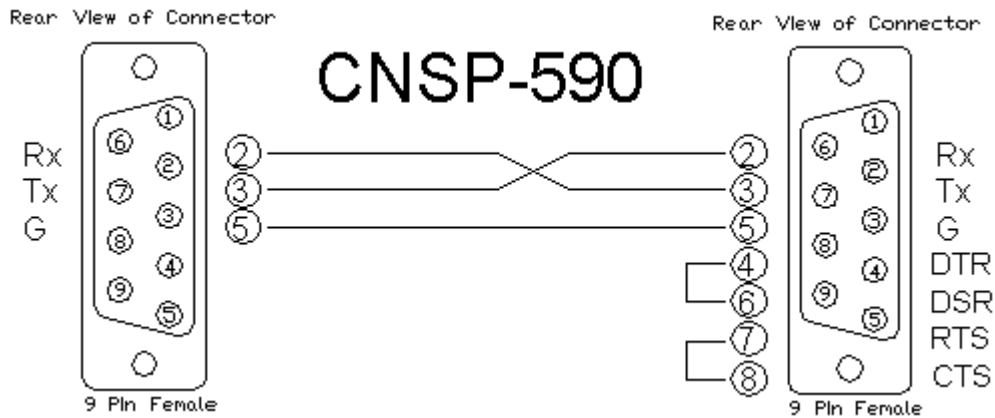


**Partner: ICS**  
**Model: WC2000 + WC3000**  
**Device Type: Video Wall Processor**



### GENERAL INFORMATION

<b>SIMPLWINDOWS NAME:</b>	ICS WC2000 + WC3000 Video Wall Processor
<b>CATEGORY:</b>	Receiver/Processor
<b>VERSION:</b>	V1.0
<b>SUMMARY:</b>	This module will select different wall layouts.
<b>GENERAL NOTES:</b>	This module will allow the user to select one of 10 wall layouts.
<b>CRESTRON HARDWARE REQUIRED:</b>	CNX-COM6, CNX-COM2, C2COM-1, C2-COM2, C2-COM3, ST-COM
<b>SETUP OF CRESTRON HARDWARE:</b>	RS232 Baud: 9600 Parity: N Data Bits: 8 Stop Bits: 1
<b>VENDOR FIRMWARE:</b>	N/A
<b>VENDOR SETUP:</b>	None
<b>CABLE DIAGRAM:</b>	CNSP-590



**Partner: ICS**  
**Model: WC2000 + WC3000**  
**Device Type: Video Wall Processor**

**CONTROL:**

<b>Load_Layout_*</b>	D	Pulse to load the desired layout. The layout file name & path is entered in the parameter fields.
----------------------	---	---

**PARAMETERS:**

<b>Application Path</b>	P	Path for the wall control application, including the drive. The default path name is C:\Program Files\Wall Control. To enter the \ character you will need to enter \.
<b>Layout * Path and Name</b>	P	Path and file name for the layout files, including the drive. The default path name is C:\Layouts\A1.lay. To enter the \ character you will need to enter \.

**FEEDBACK:**

<b>To_Device\$</b>	S	Serial signal to be routed to a serial com port.
--------------------	---	--

**TESTING:**

<b>OPS USED FOR TESTING:</b>	3.137
<b>SIMPL WINDOWS USED FOR TESTING:</b>	2.06.20
<b>CRES DB USED FOR TESTING:</b>	17.6.0
<b>SYMBOL LIBRARY USED FOR TESTING:</b>	371
<b>SAMPLE PROGRAM:</b>	ICS WC2000 + WC3000 Video Wall Processor Demo
<b>REVISION HISTORY:</b>	V. 1.0 – Original release.