

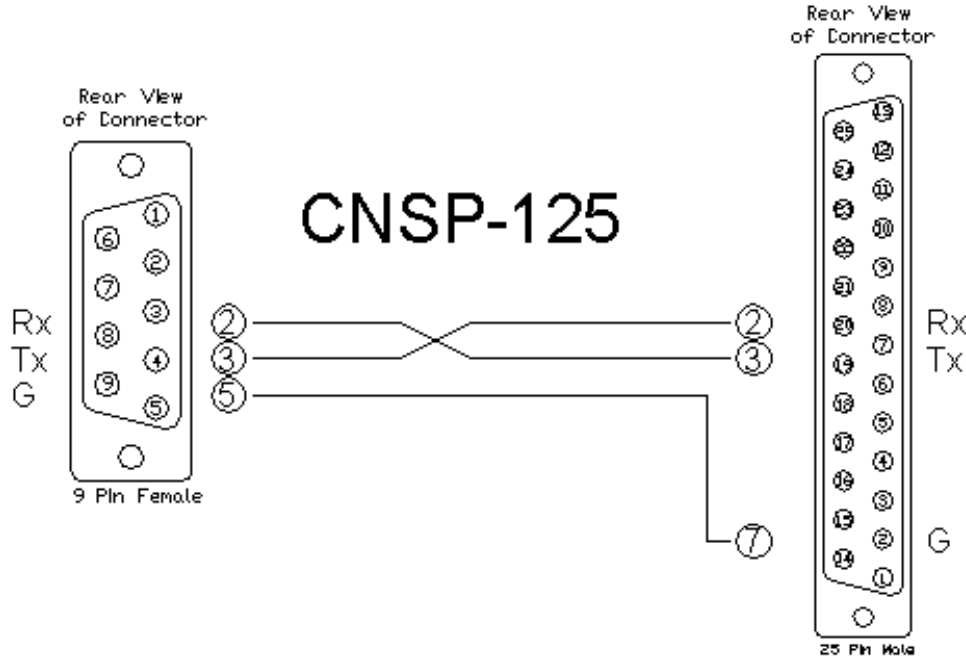
Partner: Honeywell
Model: Vista 128/250FBP 128/250BPE
Device Type: Security



GENERAL INFORMATION

SIMPLWINDOWS NAME:	Honeywell Vista 128FBP+250FBP+128BPE+250BPE Zone Decode v4.1
CATEGORY:	Security
VERSION:	4.1
SUMMARY:	This module provides feedback for all zones.
GENERAL NOTES:	This module will work with the Honeywell Vista security system. This module will process the feedback for all 192 zones. The Zone_Status_Request input should ONLY be used once at start up to get in the Crestron in sync with the Honeywell. DO NOT USE THIS INPUT TO POLL THE DEVICE REGULARLY.
CRESTRON HARDWARE REQUIRED:	C2I-COM, C2-COM2, C2-COM3
SETUP OF CRESTRON HARDWARE:	RS232 Baud: 1200 Parity: None Data Bits: 8 Stop Bits: 1
VENDOR FIRMWARE:	BPE Rev 4.3
VENDOR SETUP:	The Honeywell system must have the 4100SM RS232 Interface card or the VA8201 Alpha Pager Module installed. The card or module must then be enabled. For both the 4100SM and the VA8201 <ol style="list-style-type: none">1) In *05, enter a 1.2) In *14, enter a 1. You will not be able to use a serial printer.3) In 1*73, enter a 0.4) In 1*78, enter a 1.5) In 1*79, enter the following: 1110106) In 3*19, enter a 1. For the VA8201, you will also need to go to 2*30 and enter a 1.
CABLE DIAGRAM:	CNSP-125

Partner: Honeywell
 Model: Vista 128/250FBP 128/250BPE
 Device Type: Security



CONTROL:

Zone_Status_Request	D	Pulse to request the status for the zones. This input is not designed to be used as a constant polling command. The feedback will be sent automatically. This is to get in sync after a reboot or after a program reload.
From_Device\$	S	Serial signal to be routed from a 2-way serial com port.

FEEDBACK:

Zone_*_Status	A	Analog value for the zone status. To be routed to the Zone Status v4.0 modules.
To_Queue\$	S	Serial signal to be routed to the To_Queue\$ input on the Honeywell Vista 128FBP+250FBPz+128BPE+250BPE Keypad All Partitions v4.1 module.

Partner: Honeywell
Model: Vista 128/250FBP 128/250BPE
Device Type: Security

**TESTING:**

OPS USED FOR TESTING:	4.001.1012
SIMPL WINDOWS USED FOR TESTING:	4.03.20
CRESTRON DB USED FOR TESTING:	54.05.005.00
DEVICE DB USED FOR TESTING:	73.00.001.00
SAMPLE PROGRAM:	Honeywell Vista 128FBP + 250FBP + 128BPE + 250BPE v4.1 Demo
REVISION HISTORY:	<p>V. 2.0 – added new commands included in the version-3 protocol from Honeywell.</p> <p>V. 2.4 – Fixed timing on the keypad emulation module. Also fixed an issue with the character case for some commands. Renamed To_Device\$ outputs.</p> <p>V. 3.0 – Added code to poll for the keypad text when the Vista tells us that the text has changed.</p> <p>V. 3.1 – Fixed an issue with a delimiter in the Zone Decode module.</p> <p>V. 4.0 – Addressed differences in the protocols relating to the way in which the Vista updates the keypad text. Added three additional keypress inputs for each keypad.</p> <p>v. 4.1 – Incorporated 3-series best practices in all Simpl+.</p>