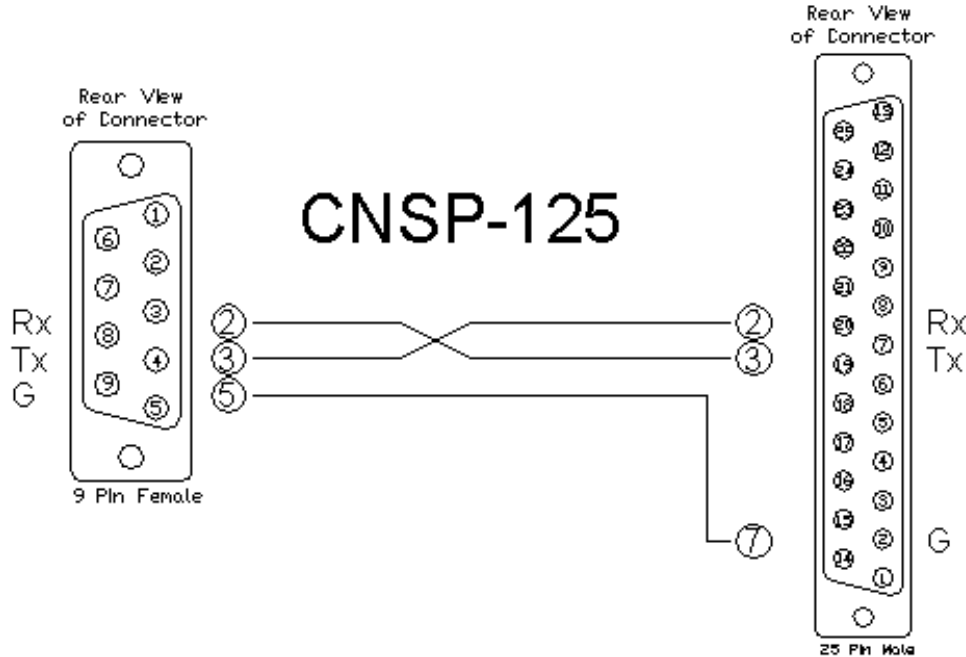


Partner: Honeywell
Model: Vista 128/250FBP 128/250BPE
Device Type: Security

**GENERAL INFORMATION**

SIMPLWINDOWS NAME:	Honeywell Vista 128FBP+250FBP+128BPE+250BPE Arm v4.1
CATEGORY:	Security
VERSION:	4.1
SUMMARY:	This module provides control of the arm/disarm functions for all user ID's and user codes.
GENERAL NOTES:	<p>This module will work with the Honeywell Vista security system. It will allow the activation of arm-away, arm-home, arm-instant, arm-max, force-arm-away, force-arm-home and disarm functions. Before entering one of these functions, the user must first enter their user code as specified for the Honeywell security system. The module also requires the selection of the partitions to include in the arm/disarm command. These inputs can be set using a 1 on the inputs.</p> <p>This module also provides the status of the eight security partitions that can be defined in the system.</p>
CRESTRON HARDWARE REQUIRED:	C2I-COM, C2-COM2, C2-COM3
SETUP OF CRESTRON HARDWARE:	RS232 Baud: 1200 Parity: None Data Bits: 8 Stop Bits: 1
VENDOR FIRMWARE:	BPE Rev 4.3
VENDOR SETUP:	<p>The Honeywell system must have the 4100SM RS232 Interface card or the VA8201 Alpha Pager Module installed. The card or module must then be enabled.</p> <p>For both the 4100SM and the VA8201</p> <ol style="list-style-type: none">1) In *05, enter a 1.2) In *14, enter a 1. You will not be able to use a serial printer.3) In 1*73, enter a 0.4) In 1*78, enter a 1.5) In 1*79, enter the following: 1110106) In 3*19, enter a 1. <p>For the VA8201, you will also need to go to 2*30 and enter a 1.</p>
CABLE DIAGRAM:	CNSP-125

Partner: Honeywell
 Model: Vista 128/250FBP 128/250BPE
 Device Type: Security



CONTROL:

User_Code_*	D	Pulse to enter the user code.
Include_Partition_*	D	Pulse to include or exclude a partition in the next command to be sent. A partition will be included in the next command when the Include_Partition_*_Fb output is high.
Arm_*/Force_Arm_*/Disarm	D	Pulse to arm and disarm the system.
Poll_Enable	D	Hold high to enable polling for the partition status.
From_Device\$	S	Serial signal to be routed from a 2-way serial com port

Partner: Honeywell
Model: Vista 128/250FBP 128/250BPE
Device Type: Security


FEEDBACK:

User_Code	A	Analog value for the user code.
User_Code_Stars\$	S	Serial signal with stars representing the user code that has been entered.
Include_Partition_*_Fb	D	High to indicate the partitions that will be included in the next command.
Partition_*_Away/Home/Disarm/Not_Ready	D	High to indicate the current state of each partition.
To_Queue\$	S	Serial signal to be routed to the To_Queue\$ input on the Honeywell Vista 128FBP+250FBP+128BPE+250BPE Keypad All Partitions v4.1 module.

TESTING:

OPS USED FOR TESTING:	4.0001.1012
SIMPL WINDOWS USED FOR TESTING:	4.03.20
CRESTRON DB USED FOR TESTING:	54.05.005.00
DEVICE DB USED FOR TESTING:	73.00.001.00
SAMPLE PROGRAM:	Honeywell Vista 128FBP + 250FBP + 128BPE + 250BPE v4.1 Demo
REVISION HISTORY:	<p>V. 2.0 – added new commands included in the version-3 protocol from Honeywell.</p> <p>V. 2.4 – Fixed timing on the keypad emulation module. Also fixed an issue with the character case for some commands. Renamed To_Device\$ outputs.</p> <p>V. 3.0 – Added code to poll for the keypad text when the Vista tells us that the text has changed.</p> <p>V. 3.1 – Fixed an issue with a delimiter in the Zone Decode module.</p> <p>v. 3.1.1 – Fixed an issue where the module would occasionally send a command while it was still receiving data from the Vista. Also addressed changes to the way that keypad text updates are requested.</p> <p>V. 4.0 – Addressed differences in the protocols relating to the way in which the Vista updates the keypad text. Added three additional keypress inputs for each keypad.</p> <p>v. 4.1 – Incorporated 3-series best practices in all Simpl+.</p>