

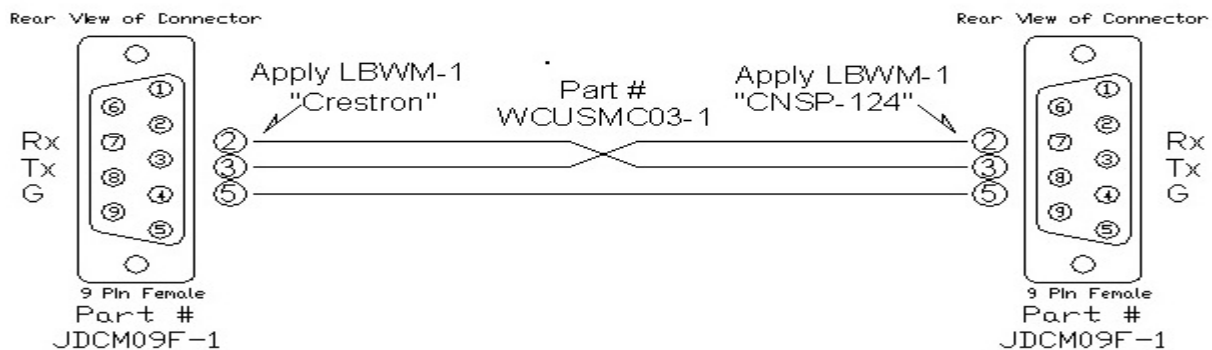
Partner: Epson
Model: PowerLite Pro G6650WU
Device Type: LCD Projector



GENERAL INFORMATION

SIMPLWINDOWS NAME:	Epson PowerLite G6650WU v1.0
CATEGORY:	TV/Video Projector
VERSION:	1.0
SUMMARY:	<p>This module will control the Epson PowerLite G6650WU. Functions include Power, Source Select, A/V mute, Aspect Ratio, Freeze, Brightness, Contrast, Color, Tint, Sharpness, Volume and display elapsed Lamp Hour usage.</p> <p>This module was tested with the PowerLite G6650WU. Epson uses the same protocol on most of their projectors.</p>
GENERAL NOTES:	This module will control the Epson PowerLite Pro G6650WU Projector via RS232. True feedback is provided for power, input sources, a/v mute, freeze, aspect ratio, color mode, and picture settings.
CRESTRON HARDWARE REQUIRED:	2-Series Processor w/Ethernet port, 3-Series Processor w/Ethernet port
SETUP OF CRESTRON HARDWARE:	RS232 Baud: 9600 Parity: N Data Bits: 8 Stop Bits: 1
VENDOR FIRMWARE:	v1.0
VENDOR SETUP:	N/A
CABLE DIAGRAM:	CNSP-124

CNSP-124



Partner: Epson
Model: PowerLite Pro G6650WU
Device Type: LCD Projector


CONTROL:

Power_<On/Off/Toggle>	D	Pulse to turn projector on or off.
Input_*	D	Pulse to select the desired source.
A/V Mute_<On/Off/Toggle>	D	Pulse to turn A/V mute on or off.
Freeze_<On/Off/Toggle>	D	Pulse to turn freeze function on or off.
Aspect_*	D	Pulse to select desired aspect ratio.
Color_Mode_*	D	Pulse to select desired color mode.
Contrast_<Up/Down>	D	Press to adjust the contrast level.
Brightness_<Up/Down>	D	Press to adjust the brightness level.
Color_<Up/Down>	D	Press to adjust the color level.
Tint_<Up/Down>	D	Press to adjust the tint level.
Sharpness_<Up/Down>	D	Press to adjust the sharpness level.
Volume_<Up/Down>	D	Press to adjust the sharpness level.
Auto_Sync	D	Pulse to trigger the auto sync function.
Poll_Enable	D	Latch high to enable polling for power status
Poll Settings	D	Latch high to enable polling for remaining settings
From_Device	S	Serial signal to be routed from an RS-232C Port

FEEDBACK:

Power_Is_<On/Off>	D	True feedback indicating current power status.
Input_Is_*	D	True feedback indicating current selected input source.
A/V Mute_Is_<On/Off>	D	True feedback indicating current A/V Mute status.
Freeze_Is_<On/Off>	D	True feedback indicating current freeze status.
Aspect_Is_*	D	True feedback indicating current aspect ratio.
Color_Mode_Is_*	D	True feedback indicating color mode setting.

Partner: Epson
Model: PowerLite Pro G6650WU
Device Type: LCD Projector



Contrast_Gauge	A	Analog value indicating current contrast level. For gauge on touchpanel.
Brightness_Gauge	A	Analog value indicating current brightness level. For gauge on touchpanel.
Color_Gauge	A	Analog value indicating current color level. For gauge on touchpanel.
Tint_Gauge	A	Analog value indicating current tint level. For gauge on touchpanel.
Sharpness_Gauge	A	Analog value indicating current sharpness level. For gauge on touchpanel.
Volume_Gauge	A	Analog value indicating current volume level. For gauge on touchpanel.
Lamp_Hours	A	Analog value indicating current lamp hours. For digital gauge on touchpanel.
To_Device	S	Serial data signal to be routed to a 2 way com port.

TESTING:

OPS USED FOR TESTING:	2 Series: v4.007.0004 3 Series: v1.008.0040
SIMPL WINDOWS USED FOR TESTING:	4.02.20.00
DEVICE DB USED FOR TESTING:	52.00.007.00
CRES DB USED FOR TESTING:	42.00.004.00
SYMBOL LIBRARY USED FOR TESTING:	508
SAMPLE PROGRAM:	Epson PowerLite Pro G6650WU v1.0 Demo PRO2.smw Epson PowerLite Pro G6650WU v1.0 Demo CP3.smw
REVISION HISTORY:	v1.0 – Original release.