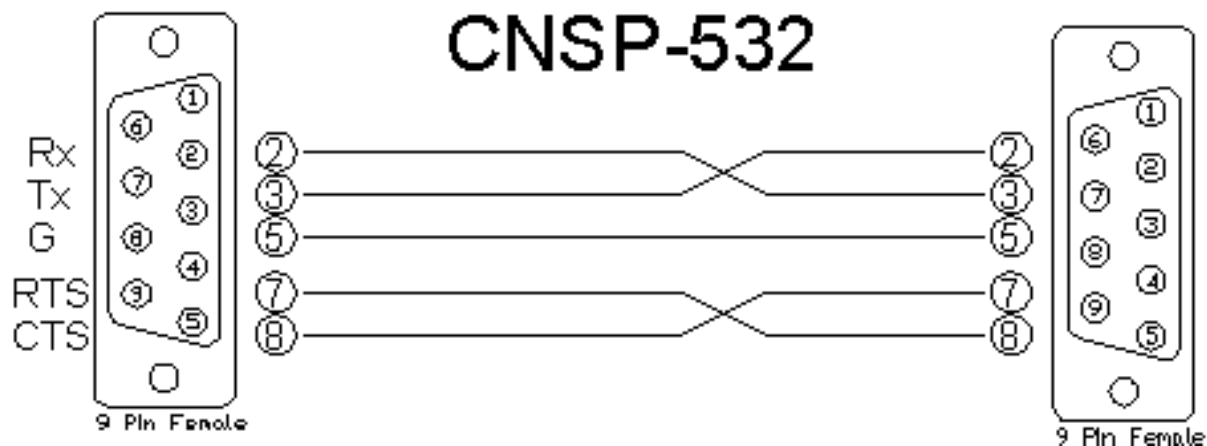


**Partner:** ELMO  
**Model:** HV-3000XG  
**Device Type:** Camera



**GENERAL INFORMATION**

<b>SIMPLWINDOWS NAME:</b>	Elmo HV-3000XG
<b>CATEGORY:</b>	Camera
<b>VERSION:</b>	1.0
<b>SUMMARY:</b>	Control all standard functions on an Elmo HV-3000XG Document Camera
<b>GENERAL NOTES:</b>	This module will control all standard functions on an Elmo HV-3000XG document camera.
<b>CRESTRON HARDWARE REQUIRED:</b>	CNXCOM, ST-COM, C2-COM
<b>SETUP OF CRESTRON HARDWARE:</b>	Baud Rate - 9600 Parity - None Data Bits - 8 Stop Bits - 1
<b>VENDOR FIRMWARE:</b>	None
<b>VENDOR SETUP:</b>	Dip switch position [D] must be on to enable RS-232 mode.
<b>CABLE DIAGRAM:</b>	CNSP-532



**Partner:** ELMO  
**Model:** HV-3000XG  
**Device Type:** Camera


**CONTROL:**

Auto_White_Balance	D	Pulse to auto white balance.
Auto_Focus	D	Pulse to auto focus. This will cause the camera to auto focus once when this is pulsed. It does NOT turn auto focus on.
Focus_+/-	D	Press and hold to adjust the focus.
Zoom_+/-	D	Press and hold to adjust the zoom.
Iris_+/-/Normal	D	Press and hold to adjust the iris.
Gamma_1.0/0.6	D	Pulse to set the gamma to 1.0 or 0.6.
Aperature_On/Off	D	Pulse to turn the aperture on or off.
Lights_Off	D	Pulse to turn the lights off
Lights_1_Lamp	D	Pulse to turn one light on.
Lights_2_Lamp	D	Pulse to turn two lights on.
Input_1(Main)	D	Pulse to select the document camera input.
Input_2(RGB1)	D	Pulse to select the RGB external input.
Color_Output	D	Pulse to set the output to color.
Black_& White_Output	D	Pulse to set the output to black & white.
Freeze_On/Off	D	Pulse to freeze/unfreeze the camera image.
Local_Lockout_On/Off	D	Pulse to lockout/enable the local controls.
Reset	D	Pulse to reset the camera settings.
Pointer_On/Off	D	Pulse to turn the pointer on or off.
Pointer_*	D	Press and hold to move the pointer.

**Partner:** ELMO  
**Model:** HV-3000XG  
**Device Type:** Camera

**FEEDBACK:**

To_Device\$	S	Serial data signal to be routed to an RS232 com port.
-------------	---	---

**TESTING:**

<b>OPS USED FOR TESTING:</b>	CNMSX - 5.14.02 Pro2 - 3.030
<b>SIMPLWINDOWS USED FOR TESTING:</b>	2.04.11
<b>SAMPLE PROGRAM:</b>	Elmo HV-3000XG Demo PRO2 Elmo HV-3000XG Demo CNMSX
<b>REVISION HISTORY:</b>	None