

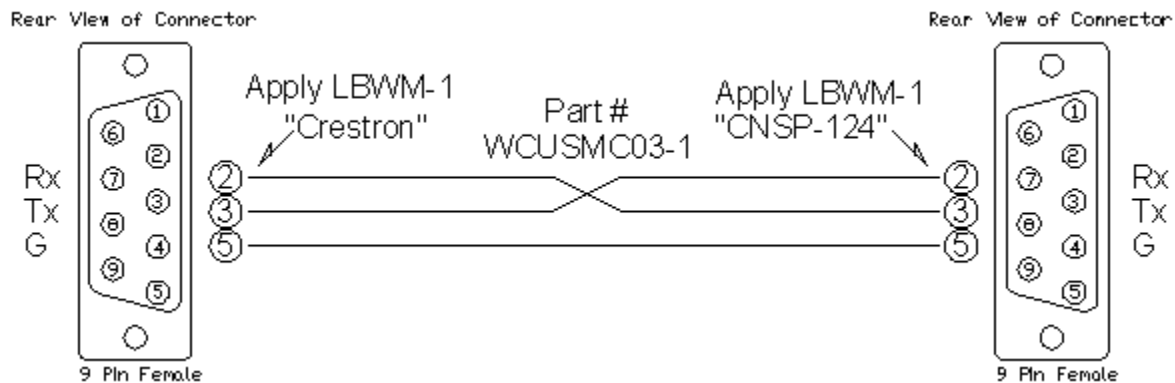
Contemporary Research: 232-STS

This module controls the 232-STS cable tuner.



GENERAL INFORMATION

SIMPLWINDOWS NAME:	Contemporary Research 232-STS
CATEGORY:	Tuners
VERSION:	1.0
SUMMARY:	This module provides the standard functions for the 232-STS.
GENERAL NOTES:	This module provides real feedback. The 232-STS tells us when something changes, so there is no need to poll except to get into sync with the 232-STS.
CRESTRON HARDWARE REQUIRED:	CNMSX-COM6, CNX-COM2, C2-COM6, C2-COM2, C2-COM3, ST-COM
SETUP OF CRESTRON HARDWARE:	RS232 Baud Rate: 9600 Parity: None Data Bits: 8 Stop Bits: 1
VENDOR FIRMWARE:	V3.1
VENDOR SETUP:	None
CABLE DIAGRAM:	CNSP-124





CONTROL:

Power_On/Off/Toggle	D	Pulse to turn the unit on and off.
Channel_Analog_In	A	Use this to set the tuner to a desired channel. This might be used if you needed more than 20 presets.
Channel_Up/Down	D	Press and hold to change the channel. This will only go to channels listed in the tune ring in the 232-STs.
Keypad_*/Clear/Enter	D	Pulse to go to any channel.
Previous_Channel	D	Pulse to go to the last channel.
Video_Aux	D	Pulse to tune to the video aux input. This will be displayed as channel 126.
Tune_Mode_*	D	Pulse to set the tune mode.
Closed_Caption_*	D	Pulse to turn the closed captioning on and off. The "When_Muted" input will set the closed captioning mode to caption on when the volume is muted.
Video_Mute_On/Off/Toggle	D	Pulse to turn the video mute on and off.
Channel_Preset_*	D	Pulse to tune to the preset station.
Volume_Up/Down	D	Press and hold to adjust the volume.
Poll	D	Pulse to get the current status. The 232-STs automatically updates the Crestron system when a parameter changes. This should really only be at startup to get the Crestron in sync with the 232-STs.
From_Device\$	S	Serial signal to be routed from a 2-way serial com port.
Unit ID Number	P	Unit ID of the 232-STs. This must be selected from the list. It will default to a Unit ID of 1.
Channel Preset *	P	Channel number to tune to for each of the 20 presets. These will default to channels 2 through 21.



FEEDBACK:

Power_On/Off_Fb	D	High to indicate the current power state.
Channel_Analog	A	Current channel number. Also, the channel number when entering a channel using the keypad. To be displayed in a digital gauge on a touch panel.
Video_Aux_Fb	D	High to indicate that the aux video input is tuned.
Tune_Mode_*_Fb	D	High to indicate the current tune mode.
Closed_Caption_*_Fb	D	High to indicate the current closed caption mode.
Stereo/Mono_Signal_Being_Received	D	High to indicate that the currently tuned channel is being received in either stereo or mono.
Volume_Bar	A	Current volume level. Analog signal to be displayed on a bar graph on a touch panel.
To_Device\$	S	Serial signal to be routed to a 2-way serial com port.

TESTING:

OPS USED FOR TESTING:	PRO2: 3.088 CNSMSX: 5.14.02x
COMPILER USED FOR TESTING:	2.05.17
SAMPLE PROGRAM:	PRO2: Contemporary Research 232-ST5 PRO2 Demo CNMSX: Contemporary Research 232-ST5 CNMSX Demo
REVISION HISTORY:	V. 1.0