

Partner: Christie
Model: LX-55
Device Type: LCD Projector



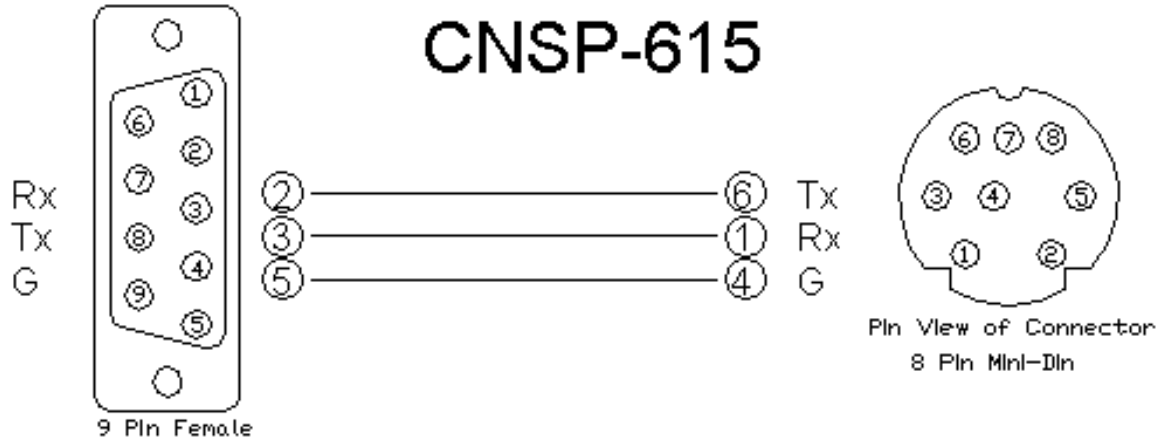
GENERAL INFORMATION

SIMPLWINDOWS NAME:	Christie Digital LX-55 v1.0
CATEGORY:	Video/Data Projector
VERSION:	1.0
SUMMARY:	This module provides control and true feedback for the Christie Digital LX-55 projector.
GENERAL NOTES:	<p>This module provides control for the Christie Digital LX-55 projector. It also provides true feedback. NOTE: If the LX-55 goes into power management mode (the lamp shuts off if there is no signal present or no projector command selected for a period of time) the projector will NOT respond to any commands except the "Power Off" commands. Be sure that there is always a signal present or turn power management off.</p> <p>This module is System Builder compatible.</p>
CRESTRON HARDWARE REQUIRED:	C2I-COM6, C2NCOM-2/3, CNX-COM6, CNX-COM2, SY-COM
SETUP OF CRESTRON HARDWARE:	RS232 Baud: 19200 Parity: None Data Bits: 8 Stop Bits: 1
VENDOR FIRMWARE:	N/A
VENDOR SETUP:	None
CABLE DIAGRAM:	CNSP-615

Partner: Christie
Model: LX-55
Device Type: LCD Projector



Rear View of Connector



CONTROL:		
Power_On/Off/Toggle	D	Pulse to turn the projector on and off.
Input_*	D	Pulse to select the desired input.
Picture_Mute_On/Off/Toggle	D	Pulse to turn the picture mute on and off.
Aspect_Ratio_*	D	Pulse to select the desired aspect ratio.
Volume_Up/Down	D	Press and hold to adjust the volume.
Volume_Mute_On/Off/Toggle	D	Pulse to turn the volume mute on and off.
Image_*	D	Pulse to select the desired image setting.
Freeze_On/Off/Toggle	D	Pulse to turn the freeze on and off.
Zoom_In/Out	D	Press and hold to adjust the zoom.
Keystone_Up/Down	D	Press and hold to adjust the keystone.
Lens_Up/Down	D	Press and hold to adjust the lens shift.
Auto_PC_Adjust	D	Pulse to Auto PC Adjust.
Poll_Enable	D	Hold high to enable polling.
From_Device	S	Serial signal to be routed from a 2-way serial com port.

Partner: Christie
Model: LX-55
Device Type: LCD Projector



FEEDBACK:

Power_Is_On/Off	D	High to indicate the current power state.
Power_Warming_Up	D	High to indicate that the projector is warming up.
Power_Cooling_Down	D	High to indicate that the projector is cooling down.
Input_Is_*	D	High to indicate the currently selected input.
Picture_Mute_Is_On/Off	D	High to indicate the current picture mute state.
Aspect_Ratio_Is_*	D	High to indicate the currently selected aspect ratio.
Volume_Gauge	A	Analog signal indicating the current volume level. To be displayed using a bar graph on a touch panel.
Volume_Mute_Is_On/Off	D	High to indicate the current volume mute state.
Image_Is_*	D	High to indicate the currently selected image setting.
Freeze_Is_On/Off	D	High to indicate the current freeze state.
Auto_PC_Adjust_Is_On	D	High to indicate the current auto pc adjust state.
Communication_Is_Active	D	High to indicate that the projector is communicating with the Crestron processor.
Lamp_Hours	A	Analog value indicating the current lamp hours.
To_Device	S	Serial signal to be routed to a 2-way serial com port.

Partner: Christie
Model: LX-55
Device Type: LCD Projector

**TESTING:**

OPS USED FOR TESTING:	v3.155.1240
SIMPL WINDOWS USED FOR TESTING:	v2.11.10
CRES DB USED FOR TESTING:	v20.03.008.00
DEVICE DATABASE:	v20.05.014.00
SYMBOL LIBRARY USED FOR TESTING:	V584
SAMPLE PROGRAM:	Christie Digital LX-55 v1.0 Demo PRO2.smw
REVISION HISTORY:	v1.0 – Original release.