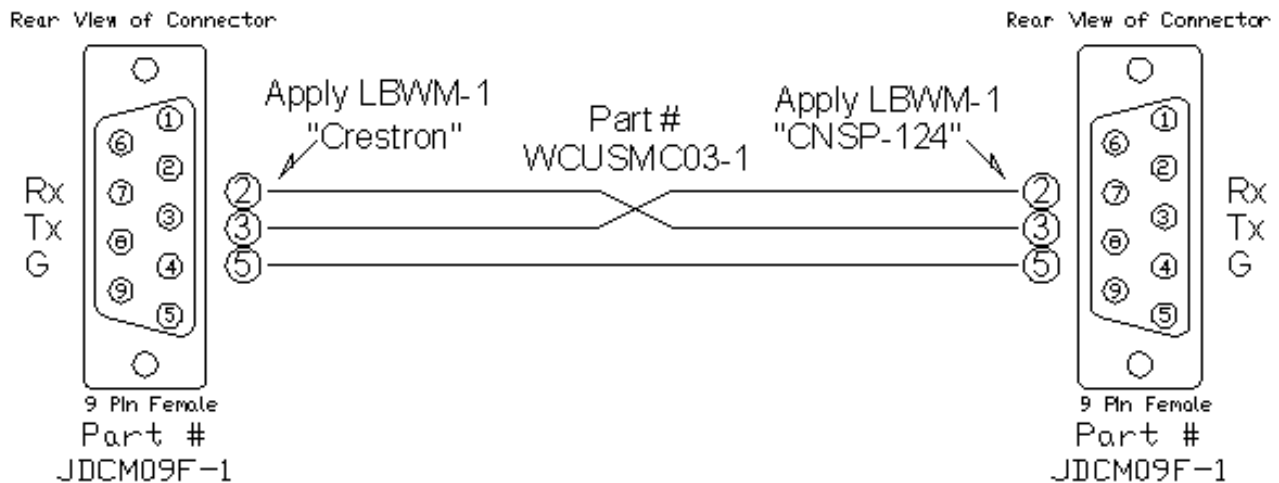


Partner: Canon
Model: LV-7490
Device Type: Data Projector



GENERAL INFORMATION

SIMPLWINDOWS NAME	Canon LV-7490 Serial v1.0
CATEGORY	Data Projector
VERSION	1.0
SUMMARY	This module provides control and true feedback for the Canon LV-7490 data projector.
GENERAL NOTES	You must issue a POLL before various Toggle presses (eg. Power, Mute) will function. Failure to initialize system states will result in initial Toggle presses performing a POLL rather than toggling desired function.
CRESTRON HARDWARE REQUIRED	C2COM-2/3, C2COMI, ST-COM
SETUP OF CRESTRON HARDWARE	RS232 Baud: 19200 Parity: None Data Bits: 8 Stop Bits: 1
CABLE DIAGRAM	CNSP-124



Partner: Canon
Model: LV-7490
Device Type: Data Projector



CONTROL

Poll	D	Pulse to poll for current system states.
Power_*	D	Pulse to perform corresponding power function. NOTE: If current power state is not initialized beforehand (via POLL), first Toggle press will issue a POLL. Subsequent press will toggle power state.
Input_*	D	Pulse to switch to corresponding input.
Source_*	D	Pulse to set current input to corresponding source.
Menu_*	D	Pulse to perform corresponding menu function.
OSD_*	D	Pulse to perform corresponding OSD action.
Screen_Mode_*	D	Pulse to switch to corresponding screen mode.
Volume_*	D	Pulse to perform corresponding volume function.
Mute_*	D	Pulse to perform corresponding mute function. NOTE: If current mute state is not initialized beforehand (via POLL), first Toggle press will issue a POLL. Subsequent press will toggle mute state.
From_Device	S	Serial signal to be routed from a 2-way serial com port.

Partner: Canon
Model: LV-7490
Device Type: Data Projector

**FEEDBACK**

Poll_Is_Busy	D	High to indicate that polling is currently in progress.
Status_Text	S	Serial signal containing the current unit status.
Filter_Hours_Analog	A	Analog signal indicating the total filter hours.
Lamp_Hours_Analog	A	Analog signal indicating the total lamp hours.
Power_Is_*	D	High to indicate the current power state.
Input_Is_*	D	High to indicate currently selected input.
Source_Is_*	D	High to indicate the selected source of the current input.
Screen_Mode_Is_*	D	High to indicate the currently selected screen mode.
Volume_Level_Gauge	A	Analog signal indicating the current volume level.
Mute_*	D	High to indicate the currently mute state.
To_Device	S	Serial signal to be routed to a 2-way serial com port.

Partner: Canon
Model: LV-7490
Device Type: Data Projector

**TESTING**

OPS USED FOR TESTING	v4.003.0015
SIMPL WINDOWS USED FOR TESTING	v3.01.24
CRESTRON DATABASE USED FOR TESTING	v25.05.014.00
DEVICE DATABASE USED FOR TESTING	v33.05.007.00
SAMPLE PROGRAM	Canon LV-7490 Serial v1.0 Demo PRO2.smw
REVISION HISTORY	V1.0 – Initial release.