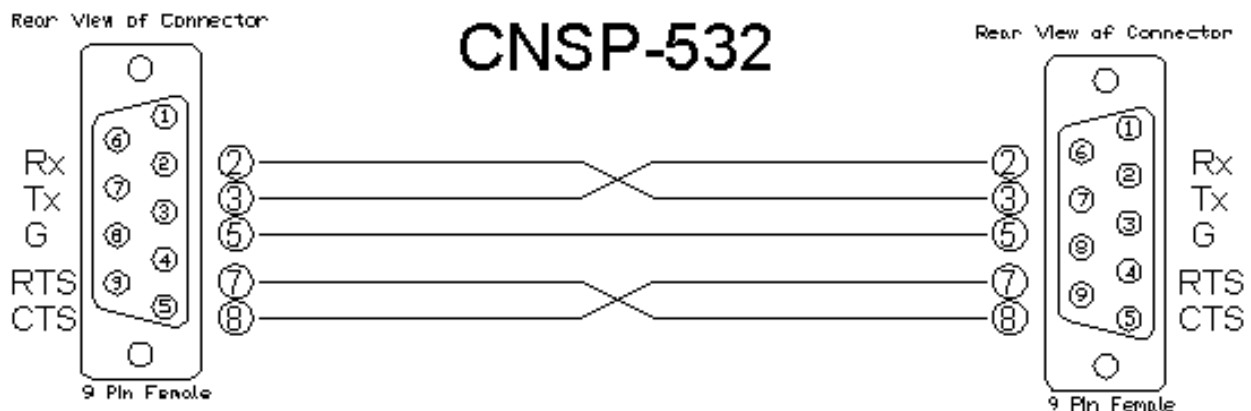


Partner: Bose
Model: ESP-88
Device Type: Meter Interface v1.0



GENERAL INFORMATION

SIMPLWINDOWS NAME:	Bose ESP Meter Interface v1.0
CATEGORY:	Multi-Zone
VERSION:	1.0
SUMMARY:	This module monitors the status of the 4 channels of a slot within the Bose ESP-88 configuration.
GENERAL NOTES:	This module monitors the signal levels of the 4 channels of a slot within the Bose ESP-88 system. The slot number must be set in the module's parameters.
CRESTRON HARDWARE REQUIRED:	X-Series Processor, CNX-COM2, ST-COM, 2-Series Processor, C2COM3
SETUP OF CRESTRON HARDWARE:	RS232 Baud: 38400 Parity: N Data Bits: 8 Stop Bits: 1
VENDOR FIRMWARE:	None
VENDOR SETUP:	None
CABLE DIAGRAM:	CNSP-532



Partner: Bose
Model: ESP-88
Device Type: Meter Interface v1.0

**CONTROL:**

Signal_Level_Enable	D	Latch high to enable serial communications with unit.
From_Device	S	Serial signal to be routed from an RS-232C port

FEEDBACK:

Channel*_Level_Out	A	Indicates the current level of a channel on a particular slot. Connect to gauge definition on touchpanel.
Channel*_Discreet_Out	A	Indicates the current level of a channel on a particular slot. Value Ranges from 0 to DiscreteMax. Connect directly to an analog join. When DiscreteMax=15: 13-15 = Red 10-12 = Yellow 0-9 = Green
Channel*_Level_Text	S	Text field indicating signal level of a channel.
To_Device	S	Serial signal to be routed to an RS-232C port

PARAMETER:

Rate	A	Set the rate of polling the ESP Meter Interface.
Slot Number	A	Slot number to monitor.
Discrete Max	A	Maximum Number of Values for the discreet outputs. When DiscreteMax=15: 13-15 = Red 10-12 = Yellow 0-9 = Green

Partner: Bose
Model: ESP-88
Device Type: Meter Interface v1.0

**TESTING:**

OPS USED FOR TESTING:	v3.155.1240
SIMPL WINDOWS USED FOR TESTING:	v2.10.32
DEVICE DB USED FOR TESTING:	20.03.013.00
CRES DB USED FOR TESTING:	20.01.008.00
SYMBOL LIBRARY USED FOR TESTING:	576
SAMPLE PROGRAM:	Bose ESP-88 Demo PRO2
REVISION HISTORY:	v1.0 – Initial Release