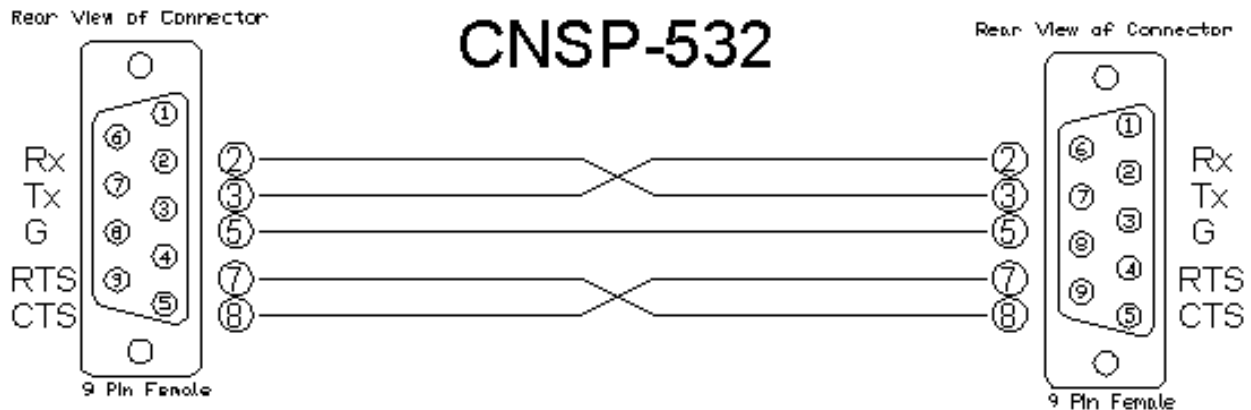


Partner: Bose
Model: ESP-88
Device Type: Graphic EQ Interface v1.0



GENERAL INFORMATION

SIMPLWINDOWS NAME:	Bose ESP Graphic EQ Interface v1.0
CATEGORY:	Multi-Zone
VERSION:	1.0
SUMMARY:	This module controls a GEQ (graphic EQ) object within the Bose ESP-88 configuration.
GENERAL NOTES:	This module controls a GEQ object within the Bose ESP-88 system. Please note that in the Bose configuration the Router name needs to be prefaced with an "#" (such as #GEQ). This enables the Bose unit to send unsolicited real-time feedback to the Crestron unit when any changes are made.
CRESTRON HARDWARE REQUIRED:	X-Series Processor, CNX-COM2, ST-COM, 2-Series Processor, C2COM3
SETUP OF CRESTRON HARDWARE:	RS232 Baud: 38400 Parity: N Data Bits: 8 Stop Bits: 1
VENDOR FIRMWARE:	None
VENDOR SETUP:	None
CABLE DIAGRAM:	CNSP-532



Partner: Bose
Model: ESP-88
Device Type: Graphic EQ Interface v1.0


CONTROL:

GEQ_Level_*Hz/*KHz_In	A	Use to set band level. Signed. Range from -32768 to +32767. Connect to slider definition.
GEQ_Bypass_All	D	Pulse to bypass all bands.
GEQ_Enable	D	Latch high to enable serial communications with unit.
GEQ_Read	D	Pulse to poll for current graphic EQ status.
From_Device	S	Serial signal to be routed from an RS-232C port

FEEDBACK:

GEQ_Level_*Hz/*KHz_Out	A	Indicates the current band level. Range from -32768 to +32767. Connect to slider definition.
GEQ_All_Bypassed	D	Indicates that all bands are bypassed.
To_Device	S	Serial signal to be routed to an RS-232C port

PARAMETER:

Module Name	D	The name of the GEQ module in the Bose ESP-88 configuration that this module will be communicating with. Note: The module name in the Bose configuration needs an “#” prefix, while the name entered in this module does not.
-------------	---	---

TESTING:

OPS USED FOR TESTING:	v3.155.1240
SIMPL WINDOWS USED FOR TESTING:	v2.10.32
DEVICE DB USED FOR TESTING:	20.03.013.00
CRES DB USED FOR TESTING:	20.01.008.00
SYMBOL LIBRARY USED FOR TESTING:	576
SAMPLE PROGRAM:	Bose ESP-88 Demo PRO2
REVISION HISTORY:	v1.0 – Initial Release