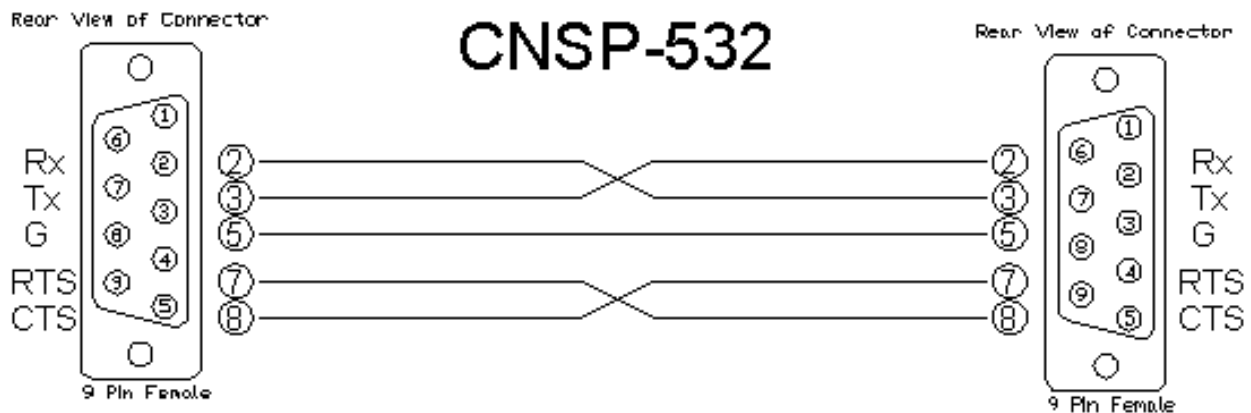


Partner: Bose
Model: ESP-88
Device Type: 16 Preset Interface v1.0



GENERAL INFORMATION

SIMPLWINDOWS NAME:	Bose ESP 16 Preset Interface v1.0
CATEGORY:	Multi-Zone
VERSION:	1.0
SUMMARY:	This module recalls up to 16 presets from the Bose ESP-88.
GENERAL NOTES:	This module recalls up to 16 presets from the Bose ESP-88.
CRESTRON HARDWARE REQUIRED:	X-Series Processor, CNX-COM2, ST-COM, 2-Series Processor, C2COM3
SETUP OF CRESTRON HARDWARE:	RS232 Baud: 38400 Parity: N Data Bits: 8 Stop Bits: 1
VENDOR FIRMWARE:	None
VENDOR SETUP:	None
CABLE DIAGRAM:	CNSP-532



CONTROL:

Partner: Bose
Model: ESP-88
Device Type: 16 Preset Interface v1.0



Select_Preset*	D	Pulse to select presets 1 through 16
Preset_Enable	D	Latch high to enable serial communications with unit.
From_Device	S	Serial signal to be routed from an RS-232C port

FEEDBACK:

Preset*_Selected	D	True feedback indicating currently selected preset.
To_Device	S	Serial signal to be routed to an RS-232C port

PARAMETER:

Rate	A	Polling rate in seconds
------	---	-------------------------

TESTING:

OPS USED FOR TESTING:	v3.155.1240
SIMPL WINDOWS USED FOR TESTING:	v2.10.32
DEVICE DB USED FOR TESTING:	20.03.013.00
CRES DB USED FOR TESTING:	20.01.008.00
SYMBOL LIBRARY USED FOR TESTING:	576
SAMPLE PROGRAM:	Bose ESP-88 Demo PRO2
REVISION HISTORY:	v1.0 – Initial Release