

**Partner: BenQ**  
**Model: MX520**  
**Device Type: TV/Video Projector**



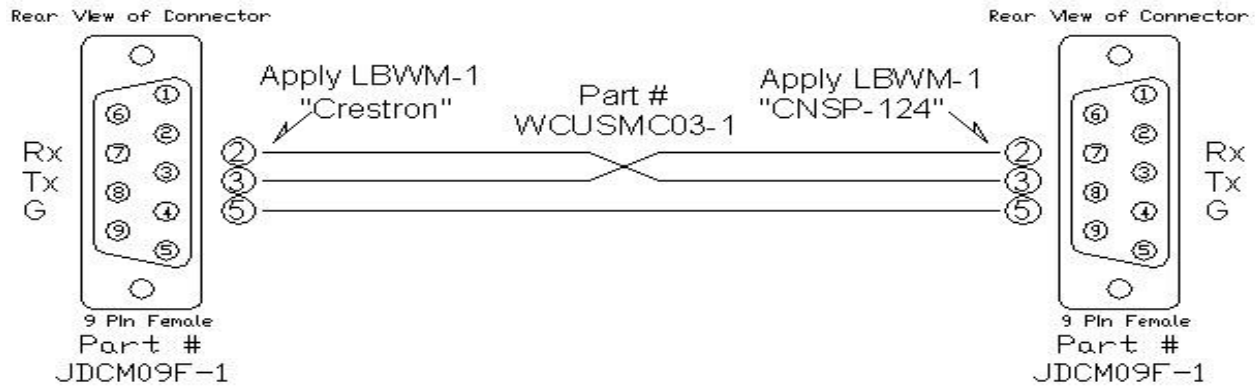
## GENERAL INFORMATION

<b>SIMPLWINDOWS NAME:</b>	BenQ MX520 v1.0
<b>CATEGORY:</b>	TV/Video Projector
<b>VERSION:</b>	1.0
<b>SUMMARY:</b>	This module will control and/or report Power, Source Select, Picture Mode, Aspect, AV Mute, Freeze, Index Windows, Picture Control and elapsed Lamp Hour usage via RS-232.
<b>GENERAL NOTES:</b>	<p>This module will control the BenQ MX520. Although this module has been tested with the MX520, it should also control for <b>all 2012 models and afterward</b>.</p> <p>This module depends on feedback from the device. You cannot comment out the From_Device. This module is System Builder compatible.</p> <p><b>NOTE:</b> Not all functions in this module will work for the MX520, but will work on other MX series models with RS232 control.</p>
<b>CRESTRON HARDWARE REQUIRED:</b>	2-Series Processor, 3-Series Processor, C2COM3
<b>SETUP OF CRESTRON HARDWARE:</b>	RS232 Baud: 115200 Parity: N Data Bits: 8 Stop Bits: 1
<b>VENDOR FIRMWARE:</b>	Unknown
<b>VENDOR SETUP:</b>	None

**Partner: BenQ**  
**Model: MX520**  
**Device Type: TV/Video Projector**


**CABLE DIAGRAM:**
**CNSP-124**

# CNSP-124



## CONTROL:

<b>Power_&lt;On/Off/Toggle&gt;</b>	D	Pulse to turn power on or off.
<b>Input_*</b>	D	Pulse to select input.
<b>Aspect_*</b>	D	Pulse to select aspect. Some aspects may not be available depending on the input being displayed.
<b>Picture_Mode_*</b>	D	Pulse to select picture mode.
<b>Volume_&lt;Up/Down&gt;</b>	D	Press to adjust volume.
<b>Mute_&lt;On/Off/Toggle&gt;</b>	D	Pulse to turn mute on or off.
<b>Audio_Input_*</b>	D	Pulse to select audio input.
<b>Lamp_Mode_*</b>	D	Pulse to select lamp mode
<b>Blank_&lt;On/Off/Toggle&gt;</b>	D	Pulse to turn displayed image on or off.
<b>Freeze_&lt;On/Off/Toggle&gt;</b>	D	Pulse to turn freeze mode on or off.
<b>Zoom_&lt;In/Out&gt;</b>	D	Pulse to zoom in or out.
<b>&lt;Menu/Enter/Up/Down/Left/Right&gt;</b>	D	Pulse to navigate/select on screen menu items.

**Partner: BenQ**  
**Model: MX520**  
**Device Type: TV/Video Projector**



3D_Sync_*	D	Pulse to select 3D synchronization setting.
Auto_Position	D	Pulse to set screen setting position automatically.
Contrast_<Up/Down>	D	Press to adjust contrast.
Brightness_<Up/Down>	D	Press to adjust brightness.
Poll_Enable	D	Latch high to enable constant polling.
From_Device	S	Serial information returned via an RS-232 port.

### FEEDBACK:

Power_Is_<On/Off>	D	Indicates the current power state.
Input_Is_*	D	Indicates the currently selected input.
Aspect_Is_*	D	Indicates the current aspect ratio.
Picture_Mode_Is_*	D	Indicates the current picture mode.
Volume_Bar	A	Indicates projector volume level for bargraph.
Mute_Is_On/Off	D	Feedback indicating audio & video mute status.
Audio_Input_Is_*	D	Indicates the current audio input.
Lamp_Mode_Is_*	D	Indicates projector lamp mode status.
Blank_Is_*	D	Indicates blank mode status.
Freeze_Is_<On/Off>	D	Indicates the freeze mode status.
(3D)_Sync_Is	D	Indicates the current 3D sync status.
Contrast_Gauge	A	Indicates the current contrast setting.
Brightness_Gauge	A	Indicates the current brightness setting.
Lamp1_Hours	A	Indicates the projectors current lamp 1 hour usage.
Lamp2_Hours	A	Indicates the projectors current lamp 2 hour usage.
To_Device	S	Serial information sent via an RS-232 port.

**Partner: BenQ**  
**Model: MX520**  
**Device Type: TV/Video Projector**

**TESTING:**

<b>OPS USED FOR TESTING:</b>	v4.001.1012
<b>SIMPL WINDOWS USED FOR TESTING:</b>	v4.01.10
<b>DEVICE DB USED FOR TESTING:</b>	v47.05.005.00
<b>CRES DB USED FOR TESTING:</b>	v36.05.015.00
<b>SYMBOL LIBRARY USED FOR TESTING:</b>	850
<b>SAMPLE PROGRAM:</b>	BenQ MX520 v1.0 Demo PRO2 BenQ MX520 v1.0 Demo CP3
<b>REVISION HISTORY:</b>	v1.0