

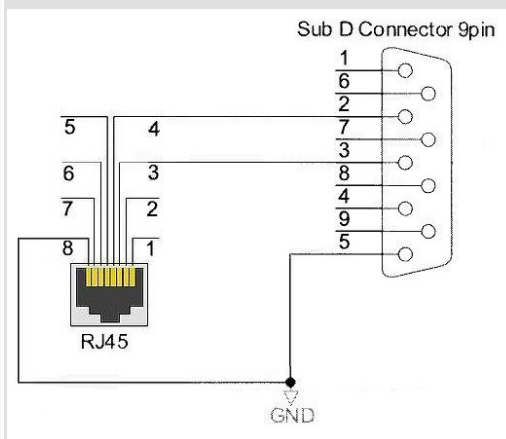
Partner: ad notam
 Model: CS-101 line
 Device Type: TV



GENERAL INFORMATION

SIMPLWINDOWS NAME:	"ad notam CS-101 v1.0"
CATEGORY:	TV
VERSION:	V1.0
SUMMARY:	This module controls an ad notam CS-101 TV via RS232.
GENERAL NOTES:	This module controls an ad notam CS-101 TV via RS232. Controls for Power, Volume, Source selection and navigation are available.
CRESTRON HARDWARE REQUIRED:	C2I-COM, ST-COM, C2-COM-* or CNX-COM2
SETUP OF CRESTRON HARDWARE:	RS232 Baud:38400 Parity: None Data Bits: 8 Stop Bits: 1
VENDOR FIRMWARE:	Unknown
VENDOR SETUP:	Connect the serial of the Crestron processor with the RJ45 port on the ad notam receiver.

CABLE DIAGRAM:



Partner: ad notam
Model: CS-101 line
Device Type: TV


CONTROL:

Power_<On/Off/Toggle>	D	Pulse to turn the display on or off.
Turn_Volume_Up	D	Pulse to raise the volume.
Turn_Volume_Down	D	Pulse to lower the volume.
Toggle_Mute	D	Pulse to toggle the mute status.
Select_Digit_x	D	Pulse to select digit x. range x: 0 - 9
Select_CH-	D	Pulse to lower the channel number.
Select_CH+	D	Pulse to raise the channel number.
Channel_List	D	Pulse to display the channel list.
Select_Up_Arrow	D	Pulse to select the up arrow.
Select_Down_Arrow	D	Pulse to select the down arrow.
Select_Left_Arrow	D	Pulse to select the left arrow.
Select_Right_Arrow	D	Pulse to select the right arrow.
Select_OK	D	Pulse to select OK.
Menu_Input_Select	D	Pulse to select the input menu and to cycle between inputs.
Select_ATV_Tuner_Input	D	Pulse to select the ATV tuner input.
Select_DTV_Tuner_Input	D	Pulse to select the DTV tuner input.
Select_Composite_Input	D	Pulse to select the composite input.
Select_SVideo_Input	D	Pulse to select the S-Video input.
Select_RGB_Input	D	Pulse to select RGB input.
Select_Component_Input	D	Pulse to select the component input.
Select_HDMI_1_Input	D	Pulse to select HDMI 1 input.
Select_HDMI_2_Input	D	Pulse to select HDMI 2 input.
Select_Menu	D	Pulse to select the Menu.

Partner: ad notam
Model: CS-101 line
Device Type: TV



Exit	D	Pulse to exit the menu.
Select_Previous_Key	D	Pulse to select the previous selected channel.
Select_Sleep_Mode	D	Pulse to select sleep mode.
Select_Zoom	D	Pulse to select zoom mode.
Select_Subtitles	D	Pulse to select subtitles.
Select_Guide	D	Pulse to select the guide.
Red_Key	D	Pulse to select the red key.
Green_Key	D	Pulse to select the green key.
Yellow_Key	D	Pulse to select the yellow key.
Blue_Key	D	Pulse to select the blue key.
Select_On_Screen_Display	D	Pulse to select on screen display.
FromDevice	S	Serial data signal to be routed from a 2 way com port.

FEEDBACK:

Power_Is_<On/Off>	D	Goes high to indicate the current power status.
Volume_Up_Is_Selected	D	Goes high to indicate that the volume went up.
Volume_Down_Is_Selected	D	Goes high to indicate that the volume went down.
Audio_Is_Muted	D	Goes high to indicate that volume is muted.
Ch0_Is_Selected	D	Goes high to indicate that Channel 0 is selected.
Ch1_Is_Selected	D	Goes high to indicate that Channel 1 is selected.
Ch2_Is_Selected	D	Goes high to indicate that Channel 2 is selected.
Ch3_Is_Selected	D	Goes high to indicate that Channel 3 is selected.
Ch4_Is_Selected	D	Goes high to indicate that Channel 4 is selected.
Ch5_Is_Selected	D	Goes high to indicate that Channel 5 is selected.
Ch6_Is_Selected	D	Goes high to indicate that Channel 6 is selected.

Partner: ad notam
Model: CS-101 line
Device Type: TV



Ch7_Is_Selected	D	Goes high to indicate that Channel 7 is selected.
Ch8_Is_Selected	D	Goes high to indicate that Channel 8 is selected.
Ch9_Is_Selected	D	Goes high to indicate that Channel 9 is selected.
Channel_List_Is_Selected	D	Goes high to indicate that the Channel list is selected.
Up_Button_Is_Selected	D	Goes high to indicate that the up button is selected.
Down_Button_Is_Selected	D	Goes high to indicate that the down button is selected.
Left_Button_Is_Selected	D	Goes high to indicate that the left button is selected.
Right_Button_Is_Selected	D	Goes high to indicate that the right button is selected.
OK_Is_Selected	D	Goes high to indicate that the OK button is selected.
Menu_Input_Is_Selected	D	Goes high to indicate that the menu input is selected.
Input_ATV_Tuner_Is_Selected	D	Goes high to indicate that input ATV Tuner is selected.
Input_Composite_Is_Selected	D	Goes high to indicate that input composite is selected.
Input_SVideo_Is_Selected	D	Goes high to indicate that input SVideo is selected.
Input_RGB_Is_Selected	D	Goes high to indicate that input RGB is selected.
Input_Component2_Is_Selected	D	Goes high to indicate that input Component2 is selected.
Input_HDMI_1_Is_Selected	D	Goes high to indicate that input HDMI 1 is selected.
Input_HDMI_2_Is_Selected	D	Goes high to indicate that input HDMI 2 is selected.
Input_DMP_Is_Selected	D	Goes high to indicate that input DMP is selected.
Menu_Is_Selected	D	Goes high to indicate that the Menu is selected.
Exit_Is_Selected	D	Goes high to indicate that Exit is selected.
Sleep_Mode_Is_Selected	D	Goes high to indicate that Sleep mode is selected.
Zoom_Is_Selected	D	Goes high to indicate that zoom is selected.
Subtitle_Key_Is_Selected	D	Goes high to indicate that Subtitle is selected.
Red_Key_Is_Selected	D	Goes high to indicate that the red key is selected.

Partner: ad notam
 Model: CS-101 line
 Device Type: TV



Green_Key_is_Selected	D	Goes high to indicate that the green key is selected.
Yellow_Key_is_Selected	D	Goes high to indicate that the Yellow key is selected.
Blue_Key_is_Selected	D	Goes high to indicate that the blue key is selected.
OSD_Is_Selected	D	Goes high to indicate that OSD is selected.
ToDevice	S	Serial data signal to be routed to a 2 way com port.

PARAMETERS:

Pulse Time	A	Parameter indicating the time (in seconds) that button feedback will be highlighted.
------------	---	--

TESTING:

OPS USED FOR TESTING:	PRO2:4.003.0015 MC3:1.003.0008
SIMPL WINDOWS USED FOR TESTING:	3.11.15
DEVICE DB USED FOR TESTING:	43.00.003.00
CRES DB USED FOR TESTING:	32.00.001.00
SAMPLE PROGRAM:	ad notam CS-101 v1.0 PRO2 Demo ad notam CS-101 v1.0 MC3 Demo
REVISION HISTORY:	v1.0 – Initial Release