



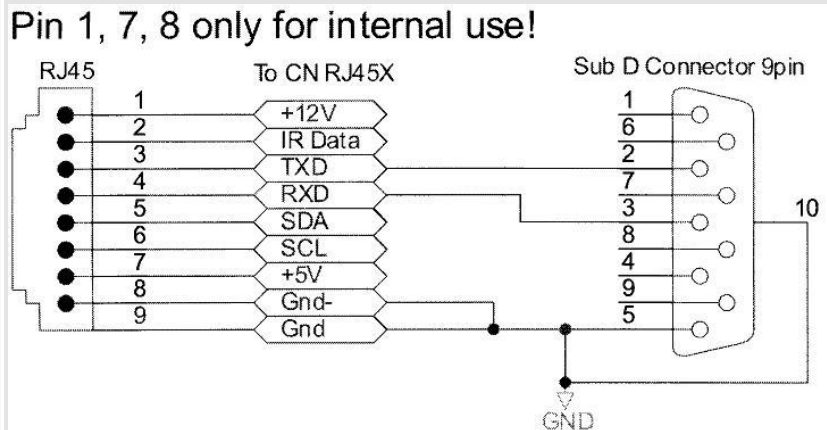
Ad Notam: Box

This module performs some basic operation for the Ad Notam Box display

GENERAL INFORMATION

SIMPLWINDOWS NAME:	Ad Notam Box.umx
CATEGORY:	Device Interface
VERSION:	V1.0
SUMMARY:	This module performs some basic operation for the Ad Notam Box display
GENERAL NOTES:	The module is mainly one directional because the Ad Notam display simply doesn't generate status commands. It does echo commands though. So whenever for example an input is triggered, this modules puts a corresponding feedback output high when the Ad Notam Box echoes this commands.
CRESTRON HARDWARE REQUIRED:	X-series or 2-series processor
SETUP OF CRESTRON HARDWARE:	The demo program was written for a PRO2 with TPS-6000
VENDOR FIRMWARE:	V2.06
VENDOR SETUP:	The Ad Notam Box display is connected to the Crestron processor via RS-232. On the display's end the connector is a RJ-45. Com Port Settings: 57600, 8, 1, N

CABLE DIAGRAM:



CONTROL:



Power	D	Pulse to toggle power
Volume+	D	Pulse to put volume up
Volume-	D	Pulse to put volume down
Mute	D	Pulse to turn mute on. To turn mute off, pulse either Volume+ or Volume-.
RGB	D	Pulse to switch to RGB input
Video	D	Pulse to switch to Video input
DVI	D	Pulse to switch to DVI input
S-Video	D	Pulse to switch to S-Video input
Tuner	D	Pulse to switch to Tuner input
Prog+	D	Pulse to go up one program (Tuner)
Prog-	D	Pulse to go down one program (Tuner)
Digit_0	D	Pulse to simulate button 0 press
Digit_1	D	Pulse to simulate button 1 press
Digit_2	D	Pulse to simulate button 2 press
Digit_3	D	Pulse to simulate button 3 press
Digit_4	D	Pulse to simulate button 4 press
Digit_5	D	Pulse to simulate button 5 press
Digit_6	D	Pulse to simulate button 6 press
Digit_7	D	Pulse to simulate button 7 press
Digit_8	D	Pulse to simulate button 8 press
Digit_9	D	Pulse to simulate button 9 press
OSD	D	Pulse to show menu. Pulse again to move back in menu structure or to turn menu off.
Up	D	Pulse to go up in menus
Down	D	Pulse to down in menus



Confirm	D	Pulse to select a menu item
Program	A	Set program (Tuner). 0d to 99d. Anything above 99d will switch to program 99
Brightness+	D	Pulse to put brightness up
Brightness-	D	Pulse to put brightness down
Contrast+	D	Pulse to put contrast up
Contrast-	D	Pulse to put contrast down
Rx	S	Connected to the Rx of the com port

FEEDBACK:

Mute_Fb	D	High when Mute is on
RGB_Fb	D	High when RGB input is selected
Video_Fb	D	High when Video input is selected
DVI_Fb	D	High when DVI input is selected
S-Video_Fb	D	High when S-Video input is selected
Tuner-Fb	D	High when Tuner input is selected
Tx	S	Connected to the Tx of the com port

TESTING:

OPS USED FOR TESTING:	3.155
COMPILER USED FOR TESTING:	2.07.32
SAMPLE PROGRAM:	Ad Notam Box Demo Program.smw
REVISION HISTORY:	V1.0 Creation