

Partner: Somfy
Model: SDN 2.0
Device Type: Shades/Drapes



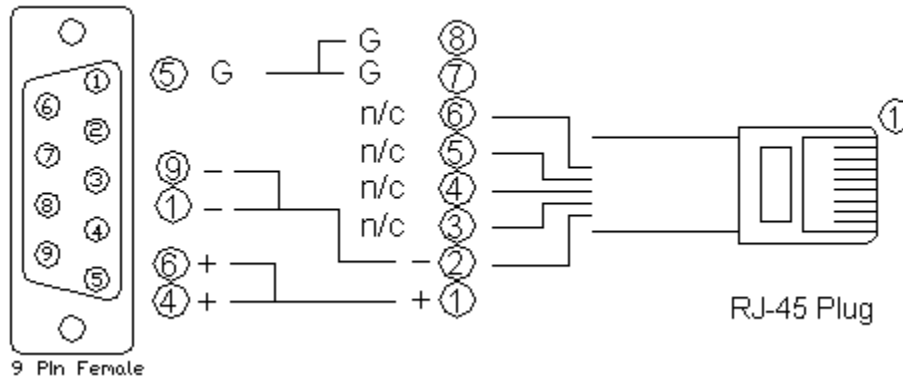
GENERAL INFORMATION

SIMPLWINDOWS NAME:	Somfy SDN2.0 Group Control v1.0
CATEGORY:	Shades/Drapes
VERSION:	1.0
SUMMARY:	This module will control a group of Somfy shade/drape motors on the SDN2.0.
GENERAL NOTES:	<p>This module will control a group of Somfy motors on the SDN2.0. It does not provide feedback.</p> <p>There are two sets of control inputs on the module, three-button and two-button.</p> <p>The threeButton<Up/Down/Stop> inputs are to be pulsed. The up and down will start the motors moving in the desired direction. They will continue to move until either the motors reach their limits or the stop input is pulsed.</p> <p>The twoButton<Up/Down> are press and hold inputs. Pressing up or down will cause the motors to start moving in the desired direction. They will continue to move until either the motors reach their limits or the up or down input is released.</p> <p>This module must be used with the Somfy SDN2.0 Serial Queue module.</p>
CRESTRON HARDWARE REQUIRED:	RS485 capable C2-COM-*
SETUP OF CRESTRON HARDWARE:	RS485 Baud: 4800 Parity: Odd Data Bits: 8 Stop Bits: 1
VENDOR FIRMWARE:	N/A
VENDOR SETUP:	Somfy motors must be assigned to a group.
CABLE DIAGRAM:	Custom

Partner: Somfy
Model: SDN 2.0
Device Type: Shades/Drapes



Rear View of Connector



CONTROL:

threeButton<Up/Down>	D	Pulse to adjust the motors in the group. The motors will move in the desired direction until either they reach their limits or the threeButtonStop input is pulsed.
threeButtonStop	D	Pulse to stop the motors in the group.
twoButton<Up/Down>	D	Press and hold to adjust the motors in the group. The motors will move in the desired direction until either they reach their limits or the input is released.
preset<Up/Down>	D	Pulse to move the next preset up or down. Presets must be setup in the motor.
goToPercentDown	A	Analog input for the percent down to go to. This is intended to be driven from an Analog Init symbol. Enter the values 0% to 100% in the Analog Init symbol. 0% is full up, 100% is full down.
goToPreset	A	Analog input for the preset to go to. Presets must be setup in the motor. Valid range is 1d to 16d.

FEEDBACK:

toQueueModule	S	Serial signal to be routed to the fromModules input on the Somfy SDN2.0 Serial Queue module.
----------------------	---	--

PARAMETERS:

paramGroupName	S	Enter the group number. If the group number is less than six characters long enter leading zeroes. For example for group number 1 enter 000001.
-----------------------	---	---

Partner: Somfy
Model: SDN 2.0
Device Type: Shades/Drapes

**TESTING:**

OPS USED FOR TESTING:	PRO3: 1.501.0013
SIMPL WINDOWS USED FOR TESTING:	4.03.20
DEVICE DB USED FOR TESTING:	72.05.001.00
CRES DB USED FOR TESTING:	54.05.005.00
SYMBOL LIBRARY USED FOR TESTING:	983
SAMPLE PROGRAM:	Somfy SDN2.0 v1.0 Demo
REVISION HISTORY:	v1.0 – Initial Release